

110 ÖKOALPIN LIVING

WOOD STOVE

Measurements (W x D x H): 1100 x 600 x 850-910 mm

Nominal heating power: TBD

Heating efficiency: TBD

Patented adjustable multiple smoke outlet

Available with oven right or left



Optional



PANORAMA

Black F5

Reinforcement Black F5 (optional)



PANORAMA
Stainless steel



PANORAMA
Anthracite F9



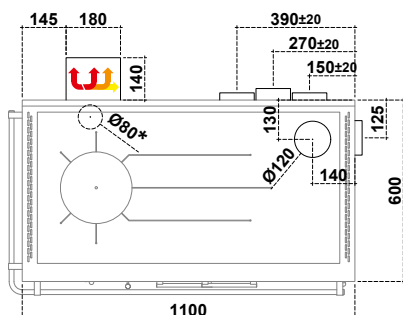
110 ÖKOALPIN LIVING

WOOD STOVE - OVEN ON RIGHT

Technical data (Data may vary depending on type of fuel used)

Fuel	Wood
Energy efficiency class	A+
Nominal heating power	TBD
Heating efficiency	TBD
η_s Seasonal space heating energy efficiency	TBD
Diameter smoke outlet	Ø 120 mm
Minimum draught	12 Pa / 0,12 mbar
Temperature smoke outlet	TBD
Smoke mass	TBD
CO at 13% O ₂	TBD
Weight	260 kg
Possible smoke outlets	5
Test report	TBD
VKF AEAI - No.	TBD
Firebox opening (L x H)	298 x 155 mm
Combustion chamber (L x D x H)	260 x 400 x 310 mm
Drawer (L x D x H)	840 x 420 x 290 mm
Oven (L x D x H)	545 x 420 x 265 mm
Hob (L x D)	1000 x 500 mm
Diameter external air intake	Ø 80 mm
CO at 13% O ₂ (Carbon monoxide) / NOx (Nitrogen oxide)	TBD
Dust / OGC (Organic compounds)	TBD

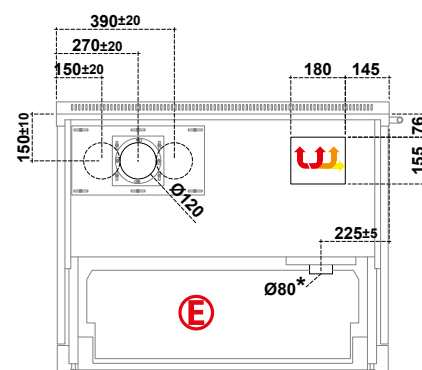
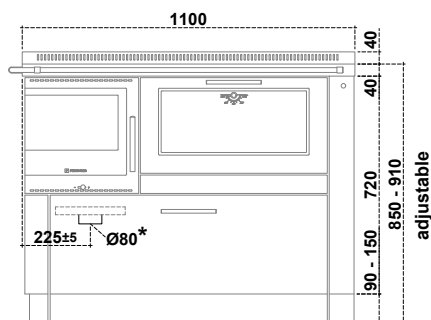
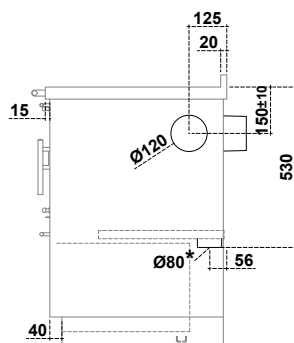
TBD=To be defined



Ⓔ

For the version with the oven light (optional), install a Schuko plug either behind the wood drawer at a maximum height of 320 mm from the floor, or at a maximum distance from the kitchen stove of 500 mm

* External air intake



WARNING:

Minimum safety distance from flammable materials

From the rear and side connection to the chimney

$P = 0 + 40^* \text{ mm}$

Following agreement with chimney sweep

* 40mm of insulation with heat conductivity equal to 0.1 W/mK at 200°C

On the side above the plate

$L = 400 \text{ mm}$

On the side below the plate

$L = 3 \text{ mm}$

Above the plate

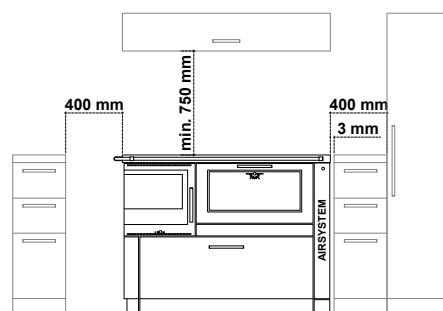
$\text{Min. } 750 \text{ mm}$

In the front from the middle of the fire door

$R = 250 \text{ mm}$

Plate for floor protection

Based on specific country directives



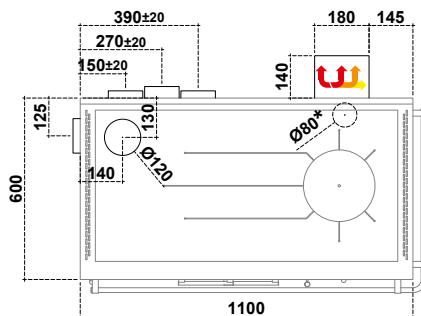
110 ÖKOALPIN LIVING

WOOD STOVE - OVEN ON LEFT

Technical data (Data may vary depending on type of fuel used)

Fuel	Wood
Energy efficiency class	A+
Nominal heating power	TBD
Heating efficiency	TBD
η_s Seasonal space heating energy efficiency	TBD
Diameter smoke outlet	Ø 120 mm
Minimum draught	12 Pa / 0,12 mbar
Temperature smoke outlet	TBD
Smoke mass	TBD
CO at 13% O ₂	TBD
Weight	260 kg
Possible smoke outlets	5
Test report	TBD
VKF AEA1 - No.	TBD
Firebox opening (L x H)	298 x 155 mm
Combustion chamber (L x D x H)	260 x 400 x 310 mm
Drawer (L x D x H)	840 x 420 x 290 mm
Oven (L x D x H)	545 x 420 x 265 mm
Hob (L x D)	1000 x 500 mm
Diameter external air intake	Ø 80 mm
CO at 13% O ₂ (Carbon monoxide) / NOx (Nitrogen oxide)	TBD
Dust / OGC (Organic compounds)	TBD

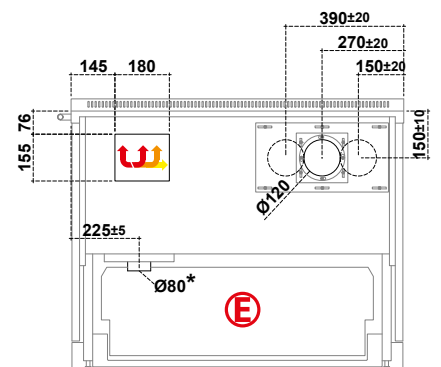
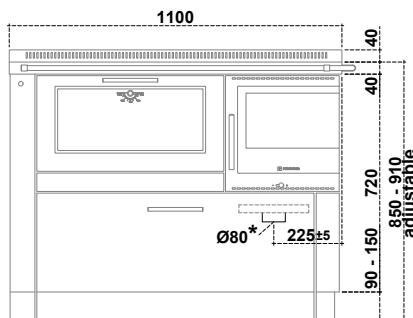
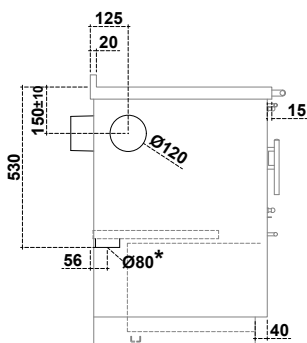
TBD=To be defined



E

For the version with the oven light (optional), install a Schuko plug either behind the wood drawer at a maximum height of 320 mm from the floor, or at a maximum distance from the kitchen stove of 500 mm

* External air intake



E

WARNING:

Minimum safety distance from flammable materials

From the rear and side connection to the chimney

$P = 0 + 40^* \text{ mm}$

Following agreement with chimney sweep

* 40mm of insulation with heat conductivity equal to 0.1 W/mK at 200°C

On the side above the plate

$L = 400 \text{ mm}$

On the side below the plate

$L = 3 \text{ mm}$

Above the plate

$\text{Min. } 750 \text{ mm}$

In the front from the middle of the fire door

$R = 250 \text{ mm}$

Plate for floor protection

Based on specific country directives

