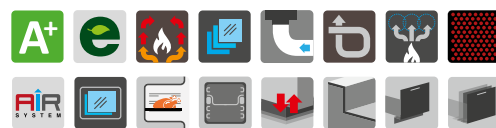


# 100 ÖKOALPIN LIVING

## WOOD STOVE

Measurements (W x D x H): 1000 x 600 x 850-910 mm  
 Nominal heating power: TBD  
 Heating efficiency: TBD  
 Patented adjustable multiple smoke outlet  
 Available with oven right or left



Optional



PANORAMA  
 Mouse grey F3



PANORAMA  
 Grey brown F2  
 Reinforcement Grey brown  
 F2 (optional)



PANORAMA  
 Stainless steel



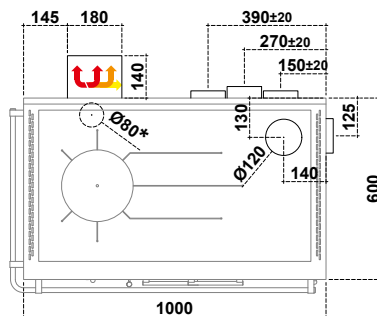
# 100 ÖKOALPIN LIVING

## WOOD STOVE - OVEN ON RIGHT

### Technical data (Data may vary depending on type of fuel used)

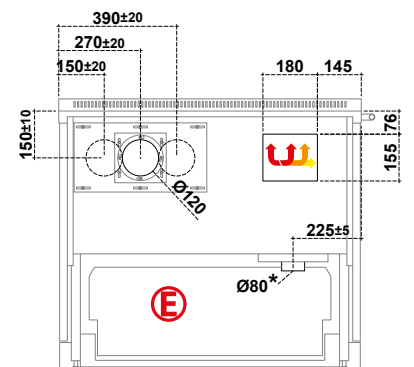
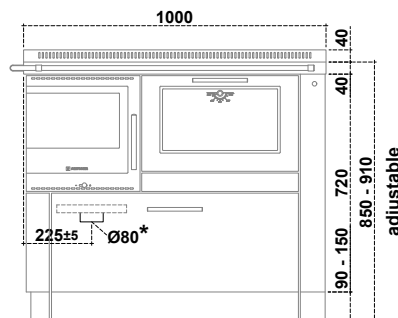
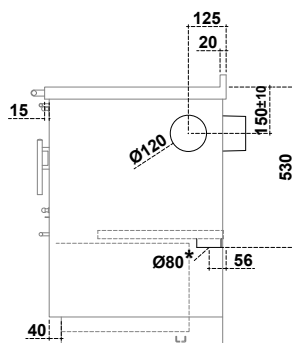
Fuel	Wood
Energy efficiency class	A+
Nominal heating power	TBD
Heating efficiency	TBD
$\eta_s$ Seasonal space heating energy efficiency	TBD
Diameter smoke outlet	Ø 120 mm
Minimum draught	12 Pa / 0,12 mbar
Temperature smoke outlet	TBD
Smoke mass	TBD
CO at 13% O <sub>2</sub>	TBD
Weight	245 kg
Possible smoke outlets	5
Test report	TBD
VKF AEA1 - No.	TBD
Firebox opening (L x H)	298 x 155 mm
Combustion chamber (L x D x H)	260 x 400 x 310 mm
Drawer (L x D x H)	740 x 420 x 290 mm
Oven (L x D x H)	445 x 420 x 265 mm
Hob (L x D)	900 x 500 mm
Diameter external air intake	Ø 80 mm
CO at 13% O <sub>2</sub> (Carbon monoxide) / NOx (Nitrogen oxide)	TBD
Dust / OGC (Organic compounds)	TBD

TBD=To be defined



For the version with the oven light (optional), install a Schuko plug either behind the wood drawer at a maximum height of 320 mm from the floor, or at a maximum distance from the kitchen stove of 500 mm

\* External air intake



### WARNING:

#### Minimum safety distance from flammable materials

From the rear and side connection to the chimney

**P= 0 + 40\* mm**

Following agreement with chimney sweep

\* 40mm of insulation with heat conductivity equal to 0.1 W/mK at 200°C

On the side above the plate

**L= 400 mm**

On the side below the plate

**L= 3 mm**

Above the plate

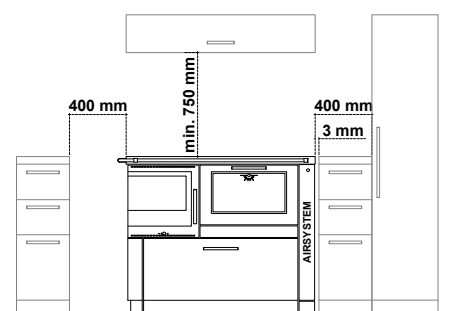
**Min. 750 mm**

In the front from the middle of the fire door

**R= 250 mm**

Plate for floor protection

**Based on specific country directives**



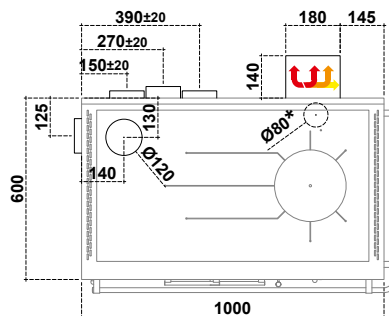
# 100 ÖKOALPIN LIVING

## WOOD STOVE - OVEN ON LEFT

### Technical data (Data may vary depending on type of fuel used)

Fuel	Wood
Energy efficiency class	A+
Nominal heating power	TBD
Heating efficiency	TBD
$\eta_s$ Seasonal space heating energy efficiency	TBD
Diameter smoke outlet	Ø 120 mm
Minimum draught	12 Pa / 0,12 mbar
Temperature smoke outlet	TBD
Smoke mass	TBD
CO at 13% O <sub>2</sub>	TBD
Weight	245 kg
Possible smoke outlets	5
Test report	TBD
VKF AEA1 - No.	TBD
Firebox opening (L x H)	298 x 155 mm
Combustion chamber (L x D x H)	260 x 400 x 310 mm
Drawer (L x D x H)	740 x 420 x 290 mm
Oven (L x D x H)	445 x 420 x 265 mm
Hob (L x D)	900 x 500 mm
Diameter external air intake	Ø 80 mm
CO at 13% O <sub>2</sub> (Carbon monoxide) / NOx (Nitrogen oxide)	TBD
Dust / OGC (Organic compounds)	TBD

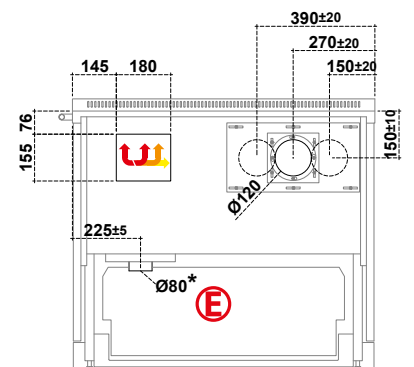
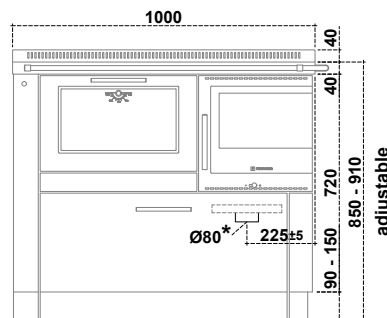
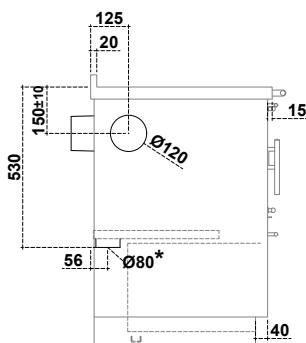
TBD=To be defined



**E**

For the version with the oven light (optional), install a Schuko plug either behind the wood drawer at a maximum height of 320 mm from the floor, or at a maximum distance from the kitchen stove of 500 mm

\* External air intake



### WARNING:

#### Minimum safety distance from flammable materials

From the rear and side connection to the chimney

**P= 0 + 40\* mm**  
Following agreement with chimney sweep

\* 40mm of insulation with heat conductivity equal to 0.1 W/mK at 200°C

On the side above the plate

**L= 400 mm**

On the side below the plate

**L= 3 mm**

Above the plate

**Min. 750 mm**

In the front from the middle of the fire door

**R= 250 mm**

Plate for floor protection

**Based on specific country directives**

