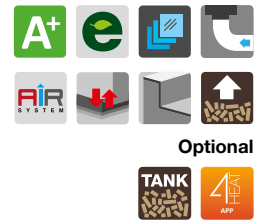


# 60 PELLET

## PELLET STOVE

Measurements (W x D x H): 600 x 600 x 850-910 mm  
Nominal heating power: 6,7 kW  
Heating efficiency: 90%  
Pellet tank: 20 kg



PANORAMA  
Sand F7 / Stainless steel



PANORAMA  
Stainless steel



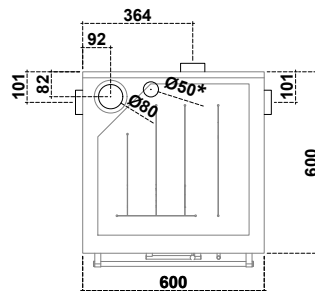
PELLET TANK  
Additional tank pellet  
(can only be installed on the right)

# 60 PELLET

## PELLET STOVE

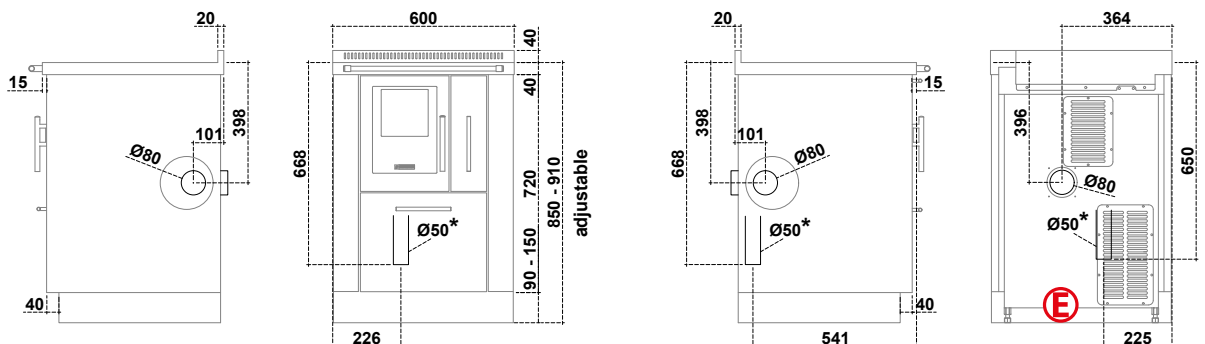
### Technical data (Data may vary depending on type of fuel used)

Fuel	Pellet
Energy efficiency class	A+
Nominal heating power	6,7 kW
Heating efficiency	90,0 %
$\eta_s$ Seasonal space heating energy efficiency	88,0 %
Diameter smoke outlet	Ø 80 mm
Minimum draught	12 Pa / 0,12 mbar
Temperature smoke outlet	142° C
Smoke mass	5,4 g/s
CO at 13% O <sub>2</sub>	0,01 %
Weight	160 kg
Possible smoke outlets	4
Test report	C-1701401-1 rev.01
Pellet tank	20 kg
Pellet consumption	0,46 - 1,49 kg /h
Autonomy	43 - 13 h
Energy consumption Standby / Power 1 / Power 5	4 / 32-57 / 60-85 W/h
Hob (L x D)	500 x 500 mm
Diameter external air intake	Ø 50 mm
CO at 13% O <sub>2</sub> (Carbon monoxide) / NOx (Nitrogen oxide)	17,0 mg/Nm <sup>3</sup> / 95,0 mg/Nm <sup>3</sup>
Dust / OGC (Organic compounds)	14,0 mg/Nm <sup>3</sup> / 7,0 mg/Nm <sup>3</sup>



To operate the oven light, install a Schuko socket either behind the baseboard at a maximum height of 50 mm from the floor, or at a maximum distance from the kitchen stove of 500 mm

\* External air intake



### WARNING:

#### Minimum safety distance from flammable materials

From the rear and side connection to the chimney

$P = 0 + 40^* \text{ mm}$

Following agreement with chimney sweep

\* 40mm of insulation with heat conductivity equal to 0.07 W/mK at 200°C

On the side above the plate

**L = 400 mm**

On the side below the plate

**L = 3 mm**

Above the plate

**Min. 750 mm**

In the front from the middle of the fire door

**R = 250 mm**

Plate for floor protection

**Based on specific country directives**

