

110 ÖKOALPIN

WOOD STOVE

P PERTINGER

Measurements (W x D x H): 1100 x 600 x 850-910 mm
Nominal heating power: 8 kW
Heating efficiency: 83,8%
Patented adjustable multiple smoke outlet
Available with oven right or left



PANORAMA
Black F5 / Stainless steel



TREND
Black silver F1



DEKOR
ST04 / Black F5

A company from
SÜDTIROL

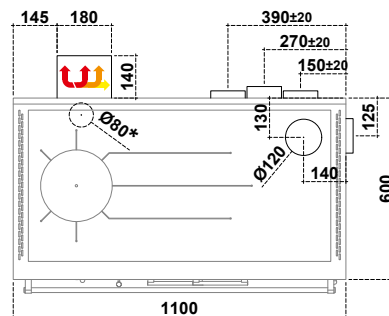
110 ÖKOALPIN

WOOD STOVE

Technical data (Data may vary depending on type of fuel used)

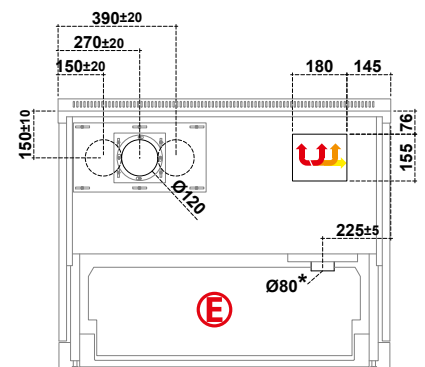
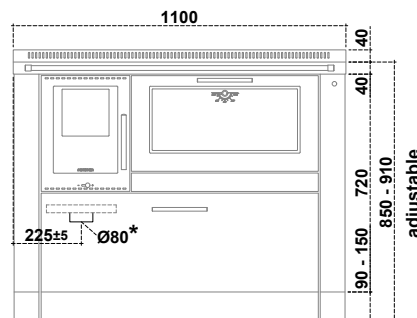
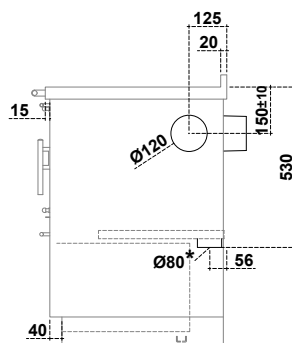
Fuel	Wood
Energy efficiency class	A+
Nominal heating power	8 kW
Heating efficiency	83,8 %
η_s Seasonal space heating energy efficiency	74,8 %
Diameter smoke outlet	Ø 120 mm
Minimum draught	12 Pa / 0,12 mbar
Temperature smoke outlet	212 °C
Smoke mass	6,6 g/s
CO at 13% O ₂	0,11 %
Weight	255 kg
Possible smoke outlets	5
Test report	C-1076392-1 rev.01
VKF AEA1 - No.	16685
Firebox opening version Trend/Dekor (L x H)	200 x 165 mm
Firebox opening version Panorama (L x H)	205 x 180 mm
Combustion chamber (L x D x H)	255 x 400 x 260 mm
Drawer (L x D x H)	840 x 420 x 290 mm
Oven (L x D x H)	545 x 420 x 265 mm
Hob (L x D)	1000 x 500 mm
Diameter external air intake	Ø 80 mm
CO at 13% O ₂ (Carbon monoxide) / NOx (Nitrogen oxide)	1363,0 mg/Nm ³ / 52,0 mg/Nm ³
Dust / OGC (Organic compounds)	39,0 mg/Nm ³ / 49,0 mg/Nm ³

NB: Available with door stop left or right



For the version with the oven light (optional), install a Schuko plug either behind the wood drawer at a maximum height of 320 mm from the floor, or at a maximum distance from the kitchen stove of 500 mm

* External air intake



WARNING:

Minimum safety distance from flammable materials

From the rear and side connection to the chimney

P= 0 + 40* mm

Following agreement with chimney sweep

* 40mm of insulation with heat conductivity equal to 0.07 W/mK at 200°C

On the side above the plate

L= 400 mm

On the side below the plate

L= 3 mm

Above the plate

Min. 750 mm

In the front from the middle of the fire door

R= 250 mm

Plate for floor protection

Based on specific country directives

