

90 PELLET HYDRO

Technical data (Data may vary depending on type of fuel used)

Fuel	Pellet
Energy class	A+
Water volume in boiler	12,5 l
Heating capacity	3,5 - 10,7 kW / 3010 - 9202 Kcal
Heating capacity H ₂ O	1,8 - 8,1 kW / 1548 - 6966 Kcal
Performance	94% - 91,3 %
Diameter smoke outlet	Ø 80 mm
Minimum draught	12 Pa / 0,12 mbar
Temperature smoke outlet	79° - 121 °C
Smoke mass	9,2 g/s
CO at 13% O ₂	0,01%
Weight	235 kg
Optional smoke outlet	4
Test report	C-1267001-1
Pellet tank	25 kg
Pellet consumption	0,7 - 2,2 kg / h
Autonomy	11 - 35 h
Energy consumption Standby / Power 1 / Power 5	4 / 32-57 / 60-85 W/h
Oven (L x D x H)	345 x 420 x 265 mm
Cooking hob (L x D)	800 x 500 mm
External air intake	Ø 50 mm
CO at 13% O ₂ (Carbon monoxide) / NO _x (Nitrogen oxide)	107,0 mg/Nm ³ / 95,0 mg/Nm ³
Dust / OGC (Organic compounds)	15,0 mg/Nm ³ / 9,0 mg/Nm ³

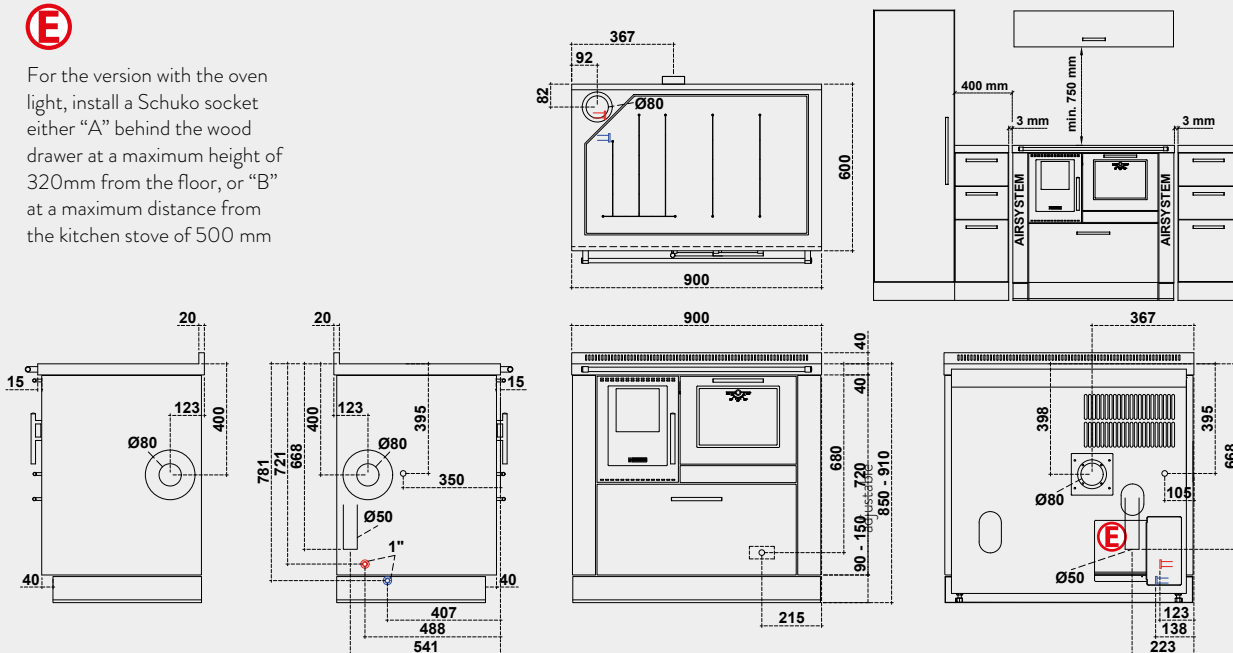
WARNING: Minimum safety distance from flammable materials

From the rear and side connection to the chimney * 40mm of insulation with heat conductivity equal to 0.07 W/mK at 200°C	P= 0 + 40* mm Following agreement with chimney sweep
On the side above the plate	L= 400 mm
On the side below the plate	L= 3 mm
Above the plate	Min. 750 mm
In the front from the middle of the fire door	R= 250 mm
Plate for floor protection	Based on specific country directives

NB: Available only in right-hand version



For the version with the oven light, install a Schuko socket either "A" behind the wood drawer at a maximum height of 320mm from the floor, or "B" at a maximum distance from the kitchen stove of 500 mm



Ein Unternehmen aus
südtirol