

# 70BUXL ÖKOALPIN

## Technical data (Data may vary depending on type of fuel used)

Fuel	Wood
Energy class	A+
Heating capacity	8 kW / 6880 Kcal
Performance	85,1 %
Diameter smoke outlet	Ø 120 mm
Minimum draught	12 Pa / 0.12 mbar
Temperature smoke outlet	272 °C
Smoke mass	11.6 g/s
CO at 13% O <sub>2</sub>	0.06 %
Weight	195 kg
Optional smoke outlet	8
Test report	C-944397-1
VKF AEAI - No.	22974
Firebox opening (L x H)	330 x 150 mm
Firebox measurements (L x D x H)	330 x 350 x 180 mm
Drawer measurements (L x D x H)	-
Oven (L x D x H)	445 x 420 x 250 mm
Cooking hob (L x D)	600 x 500 mm
External air intake	Ø 80 mm
CO at 13% O <sub>2</sub> (Carbon monoxide) / NO <sub>x</sub> (Nitrogen oxide)	758.0 mg/Nm <sup>3</sup> / 68.0 mg/MJ
Dust / OGC (Organic compounds)	39.0 mg/Nm <sup>3</sup> / 34.0 mg/MJ

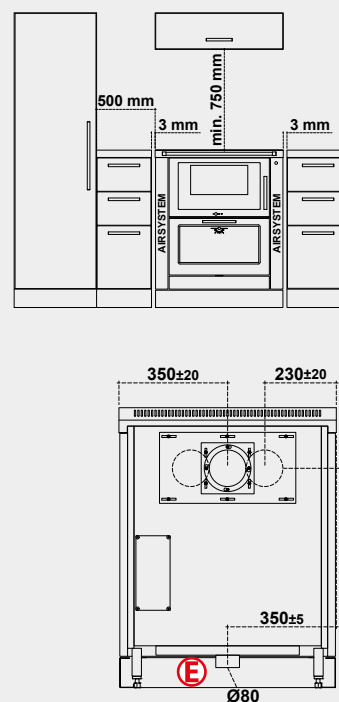
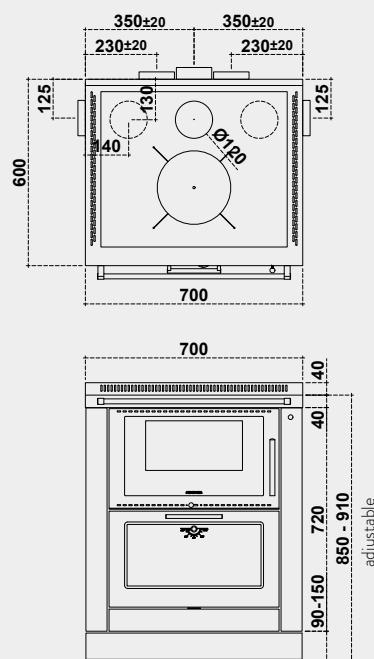
## WARNING: Minimum safety distance from flammable materials

From the rear and side connection to the chimney * 40mm of insulation with heat conductivity equal to 0.07 W/mK at 200°C	P= 0 + 40* mm Following agreement with chimney sweep
On the side above the plate	L= 500 mm
On the side below the plate	L= 3 mm
Above the plate	Min. 750 mm
In the front from the middle of the fire door	R= 250 mm
Plate for floor protection	Based on specific country directives

**NB:** Available in right and left version



To operate the oven light, install a Schuko socket either a) behind the wood drawer at a maximum height of 130mm from the floor, or b) at a maximum distance from the kitchen stove of 500 mm



Ein Unternehmen aus  
**SÜDTIROL**