

100 ÖKOALPIN

Technical data (Data may vary depending on type of fuel used)

| | |
|---|--|
| Fuel | Wood |
| Energy class | A+ |
| Heating capacity | 8.5 kW / 7310 Kcal |
| Performance | 85,1 % |
| Diameter smoke outlet | Ø 120 mm |
| Minimum draught | 12 Pa / 0.12 mbar |
| Temperature smoke outlet | 245 °C |
| Smoke mass | 8.7 g/s |
| CO at 13% O ₂ | 0.11 % |
| Weight | 240 kg |
| Optional smoke outlet | 5 |
| Test report | C-1076392-1 |
| VKF AEAI - No. | 16685 |
| Firebox opening Trend/Dekor version (L x H) | 200 x 165 mm |
| Firebox opening Panorama version (L x H) | 205 x 180 mm |
| Firebox measurements (L x D x H) | 255 x 400 x 260 mm |
| Drawer measurements (L x D x H) | 740 x 420 x 290 mm |
| Oven (L x D x H) | 445 x 420 x 265 mm |
| Cooking hob (L x D) | 900 x 500 mm |
| External air intake | Ø 80 mm |
| CO at 13% O ₂ (Carbon monoxide) / NO _x (Nitrogen oxide) | 1312.0 mg/Nm ³ / 59.0 mg/MJ |
| Dust / OGC (Organic compounds) | 36.0 mg/Nm ³ / 45.0 mg/MJ |

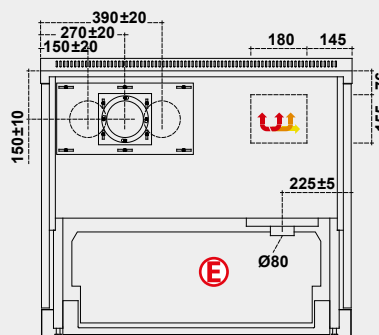
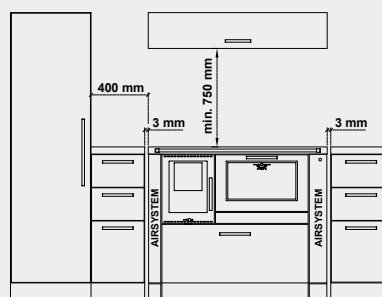
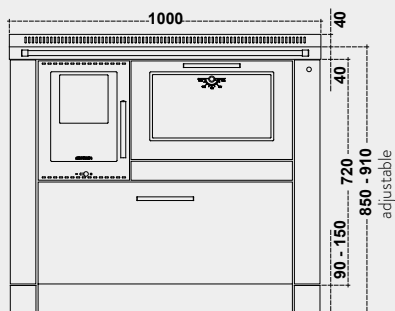
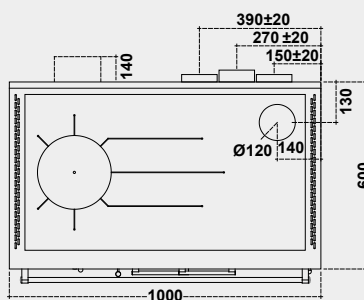
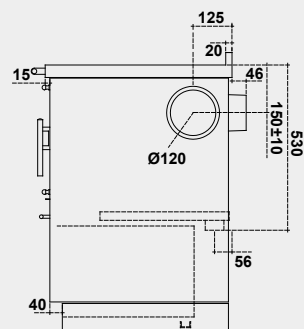
WARNING: Minimum safety distance from flammable materials

| | |
|---|---|
| From the rear and side connection to the chimney * 40mm of insulation with heat conductivity equal to 0.07 W/mK at 200°C | P= 0 + 40* mm Following agreement with chimney sweep |
| On the side above the plate | L= 400 mm |
| On the side below the plate | L= 3 mm |
| Above the plate | Min. 750 mm |
| In the front from the middle of the fire door | R= 250 mm |
| Plate for floor protection | Based on specific country directives |

NB: Available in right and left version



For the version with the oven light (optional), install a Schuko plug either "A" behind the wood drawer at a maximum height of 320mm from the floor, or "B" at a maximum distance from the kitchen stove of 500 mm



Ein Unternehmen aus
südtirol