

# 100 PREFABRICATED WOOD STOVE

Measurements (W x D x H): 1000 x 600 x 480 mm  
Nominal heating power: 8 kW  
Heating efficiency: 83,8%  
Patented adjustable multiple smoke outlet  
Available with oven right or left



TREND  
Stainless steel



PANORAMA  
Stainless steel

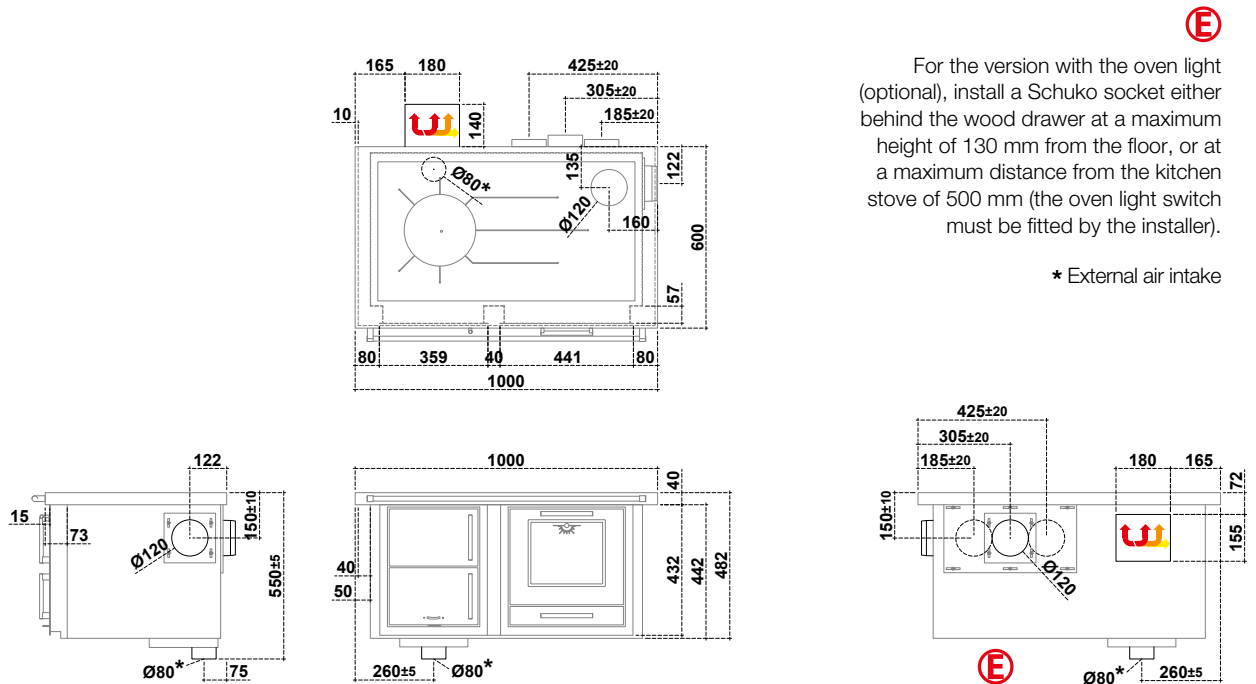
DEKOR  
ST41

# 100 PREFABRICATED WOOD STOVE

## Technical data (Data may vary depending on type of fuel used)

Fuel	Wood
Energy efficiency class	A+
Nominal heating power	8 kW
Heating efficiency	83,8 %
$\eta_s$ Seasonal space heating energy efficiency	74,8 %
Diameter smoke outlet	Ø 120 mm
Minimum draught	12 Pa / 0,12 mbar
Temperature smoke outlet	212 °C
Smoke mass	6,6 g/s
CO at 13% O <sub>2</sub>	0,11 %
Weight	205 kg
Possible smoke outlets	5
Test report	C-1076392-1 rev.01
VKF AEA1 - No.	16685
Firebox opening version Trend/Dekor (L x H)	200 x 165 mm
Firebox opening version Panorama (L x H)	205 x 180 mm
Combustion chamber (L x D x H)	255 x 400 x 260 mm
Drawer (L x D x H)	-
Oven (L x D x H)	300 x 420 x 265 mm
Hob (L x D)	850 x 460 mm
Diameter external air intake	Ø 80 mm
CO at 13% O <sub>2</sub> (Carbon monoxide) / NO <sub>x</sub> (Nitrogen oxide)	1363,0 mg/Nm <sup>3</sup> / 52,0 mg/Nm <sup>3</sup>
Dust / OGC (Organic compounds)	39,0 mg/Nm <sup>3</sup> / 49,0 mg/Nm <sup>3</sup>

**NB:** Available with door stop left or right  
 On request with Air System fireproof protection unit (optional)  
 On request with walls built and plastered (optional)



For the version with the oven light (optional), install a Schuko socket either behind the wood drawer at a maximum height of 130 mm from the floor, or at a maximum distance from the kitchen stove of 500 mm (the oven light switch must be fitted by the installer).

\* External air intake

## WARNING: Minimum safety distance from flammable materials

From the rear and side connection to the chimney * 40mm of insulation with heat conductivity equal to 0.07 W/mK at 200°C	P= 0 + 40* mm Following agreement with chimney sweep
On the side above the plate	L= 400 mm
On the side below the plate (only with Air System fireproof protection unit)	L= 3 mm
Above the plate	Min. 750 mm
In the front from the middle of the fire door	R= 250 mm
Plate for floor protection	Based on specific country directives

