

# 90 PREFABRICATED WOOD STOVE

Measurements (W x D x H): 900 x 600 x 480 mm  
Nominal heating power: 8 kW  
Heating efficiency: 83,8%  
Patented adjustable multiple smoke outlet  
Available with oven right or left



DEKOR  
ST04



TREND  
Stainless steel

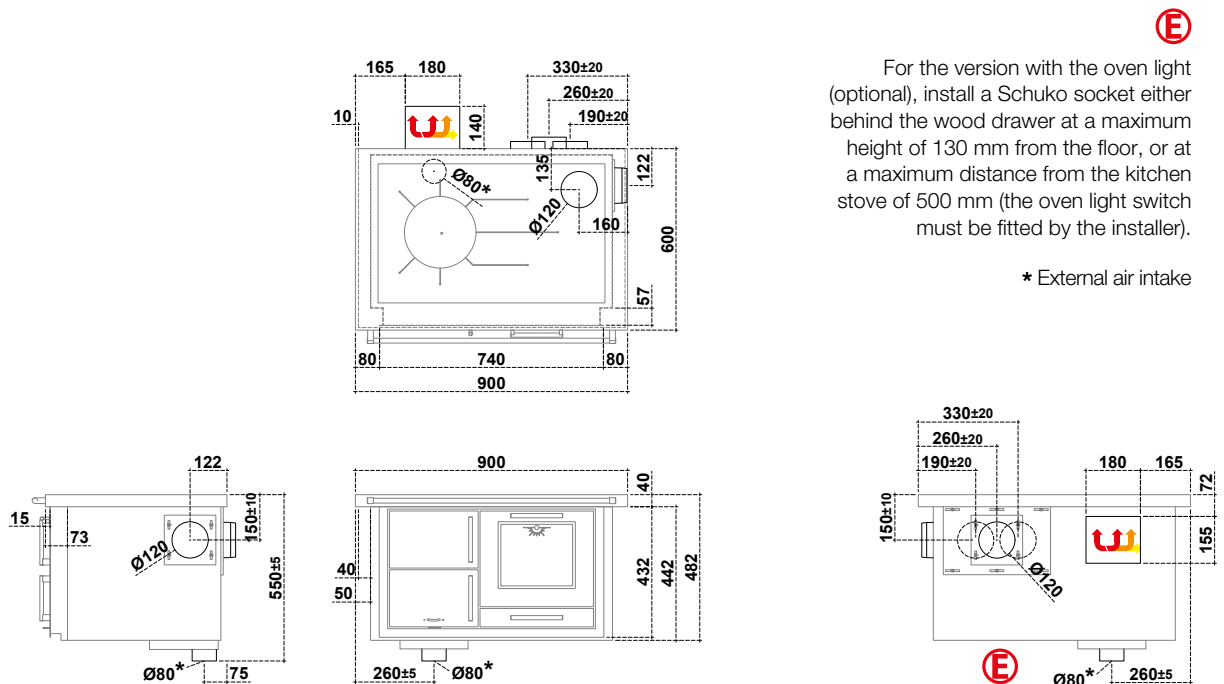


PANORAMA  
Stainless steel

# 90 PREFABRICATED WOOD STOVE

Technical data (Data may vary depending on type of fuel used)	
Fuel	Wood
Energy efficiency class	A+
Nominal heating power	8 kW
Heating efficiency	83,8 %
$\eta_s$ Seasonal space heating energy efficiency	74,8 %
Diameter smoke outlet	Ø 120 mm
Minimum draught	12 Pa / 0,12 mbar
Temperature smoke outlet	212 °C
Smoke mass	6,6 g/s
CO at 13% O <sub>2</sub>	0,11 %
Weight	195 kg
Possible smoke outlets	5
Test report	C-1076392-1 rev.01
VKF AEAI - No.	16685
Firebox opening version Trend/Dekor (L x H)	200 x 165 mm
Firebox opening version Panorama (L x H)	205 x 180 mm
Combustion chamber (L x D x H)	255 x 400 x 260 mm
Drawer (L x D x H)	-
Oven (L x D x H)	300 x 420 x 265 mm
Hob (L x D)	750 x 460 mm
Diameter external air intake	Ø 80 mm
CO at 13% O <sub>2</sub> (Carbon monoxide) / NOx (Nitrogen oxide)	1363,0 mg/Nm <sup>3</sup> / 52,0 mg/Nm <sup>3</sup>
Dust / OGC (Organic compounds)	39,0 mg/Nm <sup>3</sup> / 49,0 mg/Nm <sup>3</sup>

**NB:** Available with door stop left or right  
 On request with Air System fireproof protection unit (optional)  
 On request with walls built and plastered (optional)



## WARNING: Minimum safety distance from flammable materials

From the rear and side connection to the chimney * 40mm of insulation with heat conductivity equal to 0.07 W/mK at 200°C	<b>P= 0 + 40* mm</b> <b>Following agreement with chimney sweep</b>
On the side above the plate	<b>L= 400 mm</b>
On the side below the plate (only with Air System fireproof protection unit)	<b>L= 3 mm</b>
Above the plate	<b>Min. 750 mm</b>
In the front from the middle of the fire door	<b>R= 250 mm</b>
Plate for floor protection	<b>Based on specific country directives</b>

