

90 PELLET

Technical data (Data may vary depending on type of fuel used)

Fuel	Pellet
Energy class	A+
Heating capacity	2,6 - 9 kW / 2236 - 7740 Kcal
Performance	91%
Diameter smoke outlet	Ø 80 mm
Minimum draught	10 Pa / 0,10 mbar
Temperature smoke outlet	145 °C
Smoke mass	7,6 g/s
CO at 13% O ₂	0,02 %
Weight	230 kg
Optional smoke outlet	4
Test report	CPR-16-032
VKF AEA1 - No.	27107
Pellet tank	22 kg
Pellet consumption	0,6 - 2,1 kg /h
Autonomy	10 - 36 h
Energy consumption Standby / Power 1 / Power 5	4 / 32-57 / 60-85 W/h
Oven (L x D x H)	345 x 420 x 265 mm
Cooking hob (L x D)	800 x 500 mm
External air intake	Ø 40 mm
CO at 13% O ₂ (Carbon monoxide) / NO _x (Nitrogen oxide)	245,0 mg/Nm ³ / 61,0 mg/Nm ³
Dust / OGC (Organic compounds)	7,0 mg/Nm ³ / 3,0 mg/Nm ³

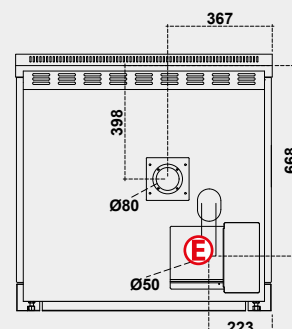
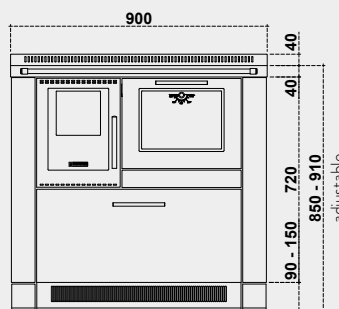
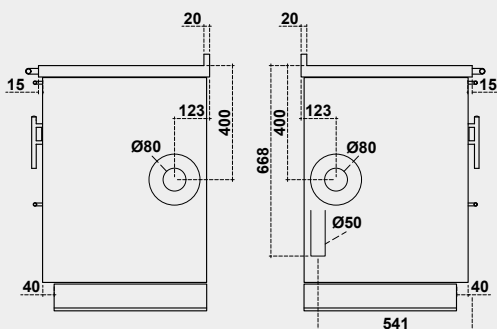
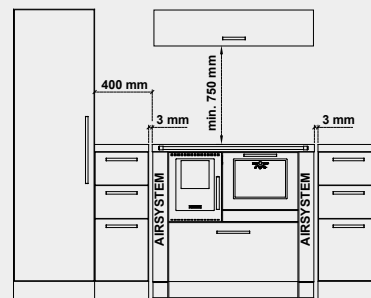
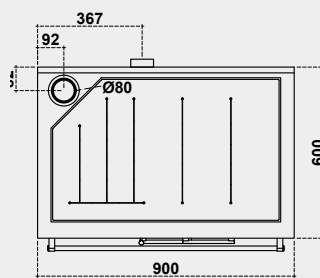
WARNING: Minimum safety distance from flammable materials

From the rear and side connection to the chimney * 40mm of insulation with heat conductivity equal to 0.07 W/mK at 200°C	P= 0 + 40* mm Following agreement with chimney sweep
On the side above the plate	L= 400 mm
On the side below the plate	L= 3 mm
Above the plate	Min. 750 mm
In the front from the middle of the fire door	R= 250 mm
Plate for floor protection	Based on specific country directives

NB: Available only in right-hand version



For the version with the oven light, install a Schuko socket either "A" behind the wood drawer at a maximum height of 320mm from the floor, or "B" at a maximum distance from the kitchen stove of 500 mm



For further customisations, please refer to the "VARIATIONS AND ACCESSORIES" data sheet



Ein Unternehmen aus
südtirol