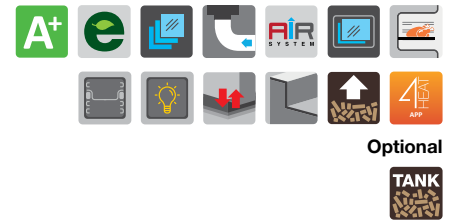


90 PELLET AIR

PELLET STOVE



Measurements (W x D x H): 900 x 600 x 850-910 mm
Nominal heating power: 8,5 kW
Heating efficiency: 89%
Pellet tank: 24 kg
Available only with oven right



PANORAMA
Stainless steel



PANORAMA
F6 Red



PELLET TANK
Additional tank pellet
(can only be installed on the right)



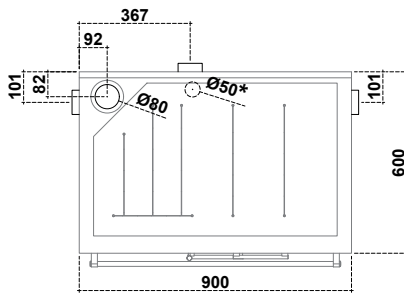
90 PELLET AIR

PELLET STOVE

Technical data (Data may vary depending on type of fuel used)

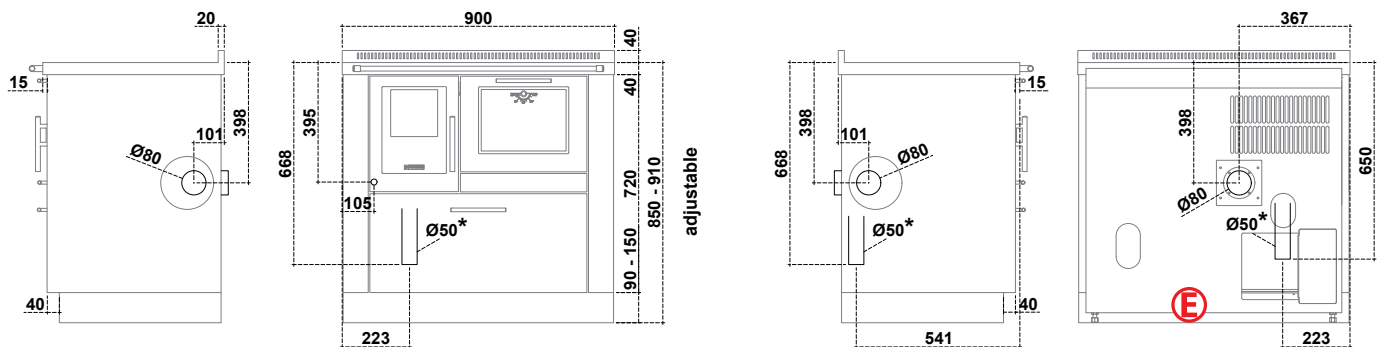
Fuel	Pellet
Energy efficiency class	A+
Energy efficiency index	124,7
Nominal heating power (P_{nom})	8,5 kW
Heating efficiency (η_{nom})	89,0 %
Seasonal space heating energy efficiency (η_s)	85,0 %
Diameter smoke outlet	Ø 80 mm
Minimum draught (p_{nom})	12 Pa / 0,12 mbar
Temperature smoke outlet (T_s_{nom})	121° C
Smoke mass	11,4 g/s
CO at 13% O ₂	0,01 %
Weight	220 kg
Possible smoke outlets	4
Test report	1004340060003-1
Pellet tank	24 kg
Pellet consumption	0,6 - 2,1 kg /h
Autonomy	36 - 10 h
Energy consumption Standby / Power 1 / Power 5	4 / 32-57 / 60-85 W/h
Oven (L x D x H)	345 x 420 x 265 mm
Hob (L x D)	800 x 500 mm
Diameter external air intake	Ø 50 mm
CO nom (13% O ₂) / NOx nom (13% O ₂)	18,0 mg/Nm ³ / 92,0 mg/Nm ³
OGC nom (13% O ₂) / PM nom (13% O ₂)	7,0 mg/Nm ³ / 9,0 mg/Nm ³

NB: Available only in right-hand version



To operate the oven light, install a Schuko socket either behind the baseboard at a maximum height of 50 mm from the floor, or at a maximum distance from the kitchen stove of 500 mm

* External air intake



Minimum distance from combustible materials

From the rear and side connection to the chimney	(dR) ¹ 0 + 40 mm Following agreement with chimney sweep
Side below / above the hob	(dS) 3 / 400 mm
Side in the radiation area	(dL) 0 mm
Front from the middle of the fire door in the radiation area	(dP) R= 250 mm
Floor in front in the radiation area	(dF) ² 0 mm
² For combustible flooring, a fireproof floor plate is required in front of the appliance	
Under the appliance	(dB) 0 mm
Ceiling	(dC) 750 mm

