

1300 PROFESSIONAL

Technical data (Data may vary depending on type of fuel used)

Fuel	Wood
Energy class	A+
Heating capacity	11,5 kW
Performance	81,6%
Diameter smoke outlet	Ø 150 mm
Minimum draught	0,14 mbar
Temperature smoke outlet	190°C
Smoke mass	11,5 g/s
CO at 13%O ₂	0,06%
Weight	360 kg
Optional smoke outlet	5
Test report	C-944395-1
Firebox opening (L x H)	200 x 190 mm
Firebox measurements (L x D x H)	220 x 580 x 280 mm
Drawer measurements (L x D x H)	810 x 565 x 230 mm
Oven (L x D x H)	665 x 570 x 265 mm
Cooking hob (L x D)	1140 x 640 mm
External air intake	Ø 120 mm
CO at 13% O ₂ (Carbon monoxide) / NO _x (Nitrogen oxide)	797,0 mg/Nm ³ / 105,0 mg/Nm ³
Dust / OGC (Organic compounds)	33,0 mg/Nm ³ / 75,0 mg/Nm ³

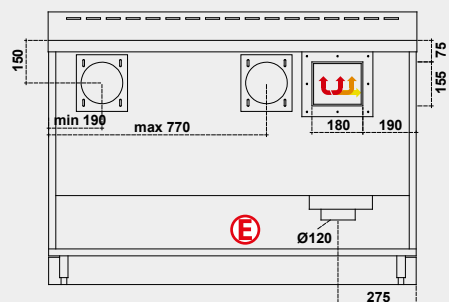
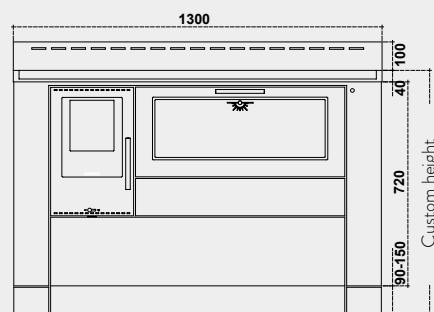
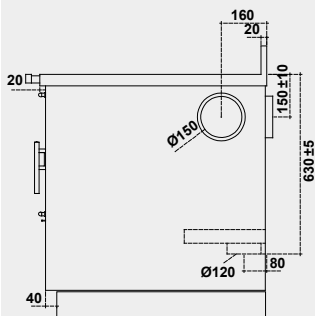
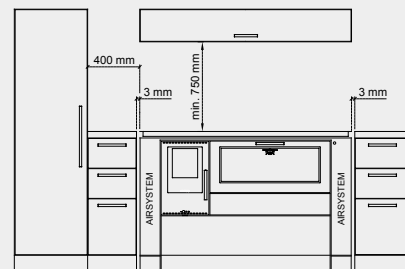
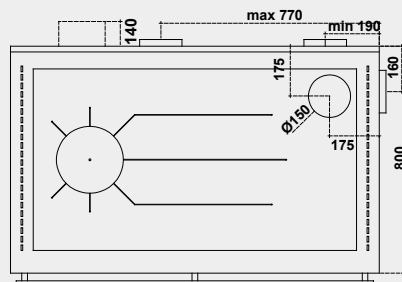
WARNING: Minimum safety distance from flammable materials

From the rear and side connection to the chimney	P= 0 + 40* mm
* 40mm of insulation with heat conductivity equal to 0.07 W/mK at 200°C	Following agreement with chimney sweep
On the side above the plate	L= 400 mm
On the side below the plate	L= 3 mm
Above the plate	Min. 750 mm
In the front from the middle of the fire door	R= 250 mm
Plate for floor protection	Based on specific country directives

NB: Available in right and left version



For the version with the oven light (optional), install a Schuko plug either "A" behind the wood drawer at a maximum height of 250mm from the floor, or "B" at a maximum distance from the kitchen stove of 500 mm



Ein Unternehmen aus
SÜDTIROL