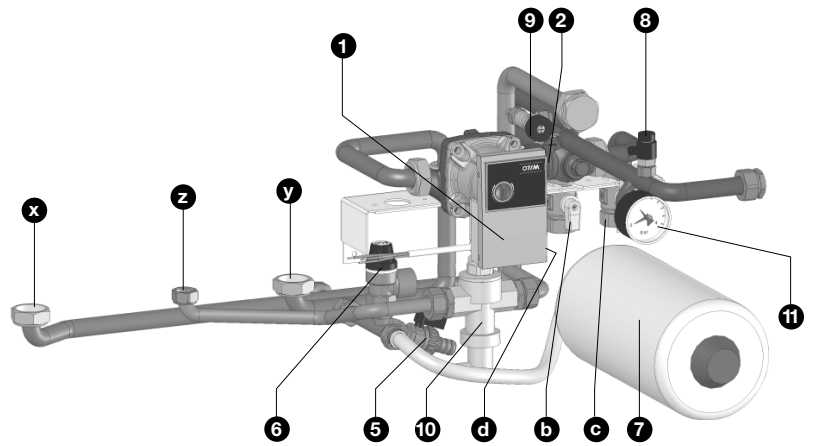


RTP OVEN ON RIGHT

HEATING STOVE PLUS AND
REVERSE FLAME HEATING STOVES

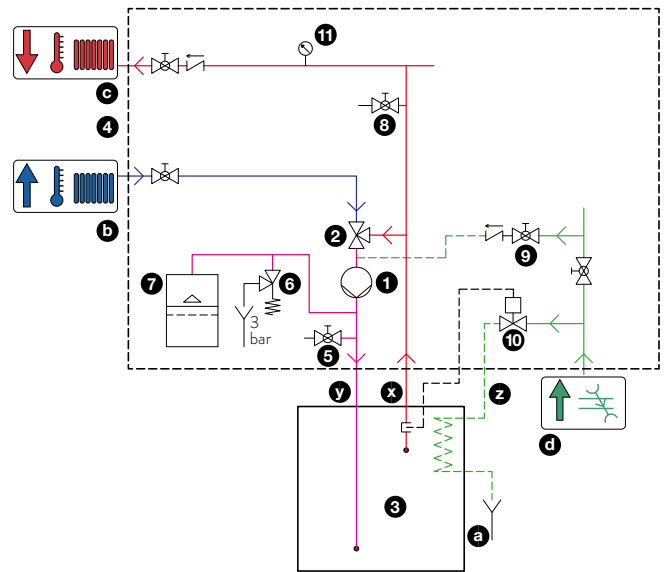
CONNECTIONS RTP

- 1 Circulator
- 2 Anti-condensate valve 55°C
- 5 Drain valve
- 6 Safety valve 3 bar
- 7 Diaphragm expansion vessel
- 8 Air vent valve
- 9 Supply valve + check valve
- 10 Thermal discharge valve
- 11 Pressure gauge
- b Heating return (concealed)
- c Heating supply
- d Domestic cold water supply (AFS; concealed) connected to the mains system
- x Heating stove boiler supply
- y Heating stove boiler return
- z Thermal discharge circuit supply



HYDRAULIC SCHEME RTP

- 1 Circulator
- 2 Anti-condensate valve 55°C
- 3 Heating stove boiler
- 4 Heating system
- 5 Drain valve
- 6 Safety valve 3 bar
- 7 Diaphragm expansion vessel
- 8 Air vent valve
- 9 Supply valve + check valve
- 10 Thermal discharge valve
- 11 Pressure gauge
- a Waste water
- b Heating return
- c Heating supply
- d Domestic cold water supply (AFS) connected to the mains system
- x Heating stove boiler supply
- y Heating stove boiler return
- z Thermal discharge circuit supply

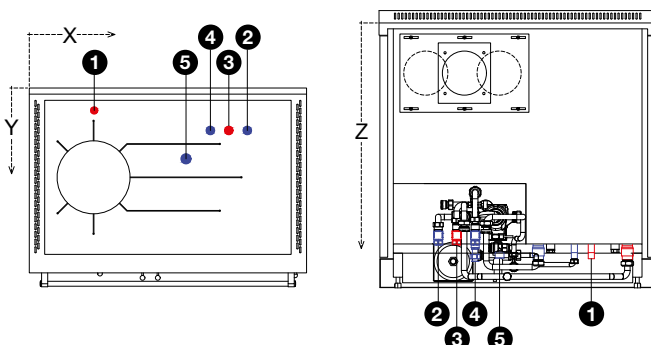


MEASURES (in mm)

Pos.	Component	X	Y	Z
1	Thermal discharge outflow connection (1/2 "ET)	211	73	765
2	Heating return connection (3/4 "IT)	708	138	715
3	Heating supply connection (3/4 "IT)	648	138	715
4	Attachment of domestic cold water to the mains (3/4 "IT)	588	138	774
5	Safety valve discharge connection (3/4 "IT)	430	180	763

ATTENTION:

With the installation of the thermal kit, the external air connection must be provided at the bottom

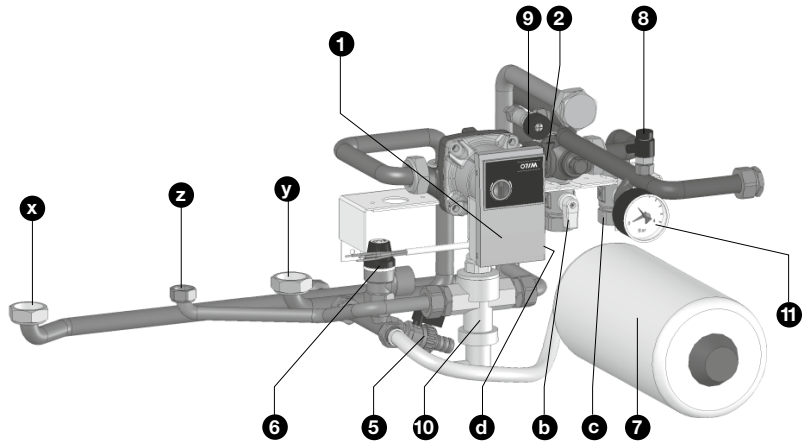


RTP OVEN ON LEFT

HEATING STOVE PLUS AND REVERSE FLAME HEATING STOVES

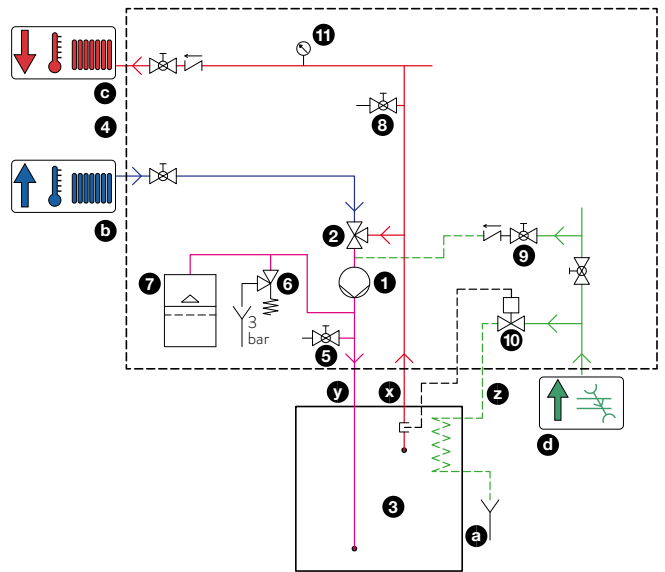
CONNECTIONS RTP

- 1 Circulator
- 2 Anti-condensate valve 55°C
- 5 Drain valve
- 6 Safety valve 3 bar
- 7 Diaphragm expansion vessel
- 8 Air vent valve
- 9 Supply valve + check valve
- 10 Thermal discharge valve
- 11 Pressure gauge
- b Heating return (concealed)
- c Heating supply
- d Domestic cold water supply (AFS; concealed) connected to the mains system
- x Heating stove boiler supply
- y Heating stove boiler return
- z Thermal discharge circuit supply



HYDRAULIC SCHEME RTP

- 1 Circulator
- 2 Anti-condensate valve 55°C
- 3 Heating stove boiler
- 4 Heating system
- 5 Drain valve
- 6 Safety valve 3 bar
- 7 Diaphragm expansion vessel
- 8 Air vent valve
- 9 Supply valve + check valve
- 10 Thermal discharge valve
- 11 Pressure gauge
- a Waste water
- b Heating return
- c Heating supply
- d Domestic cold water supply (AFS) connected to the mains system
- x Heating stove boiler supply
- y Heating stove boiler return
- z Thermal discharge circuit supply



MEASURES (in mm)

Pos.	Component	X	Y	Z
1	Thermal discharge outflow connection (1/2 "ET)	211	73	765
2	Heating return connection (3/4 "IT)	468	138	715
3	Heating supply connection (3/4 "IT)	528	138	715
4	Attachment of domestic cold water to the mains (3/4 "IT)	588	138	774
5	Safety valve discharge connection (3/4 "IT)	430	180	763

ATTENTION:

With the installation of the thermal kit, the external air connection must be provided at the bottom

