

100 HEATING STOVE - OVEN ON RIGHT

Technical data (Data may vary depending on type of fuel used)

Fuel	Wood
Energy class	A+
Water volume in boiler	12 l
Heating capacity	15 - 17 kW / 12900 - 14620 Kcal
Heating capacity H ₂ O	6 - 8 kW / 5160 - 6880 Kcal
Performance	80.6 %
Diameter smoke outlet	Ø 150 mm
Minimum draught	12 Pa / 0.12 mbar
Temperature smoke outlet	195 °C
Smoke mass	14.4 g/s
CO at 13% O ₂	0.07 %
Weight	270 kg
Optional chimney outlets	5
Maximum water pressure	3 bar
Maximum operating pressure	95 °C
Power voltage	230 / 12V - 50 / 60Hz
Test report	VFH-12-003-P
VKF AEA1 - No.	23207
Firebox opening (B x H)	205 x 240 mm
Firebox measurements (L x D x H)	250 x 340 x 230 mm
Drawer measurements (L x D x H)	740 x 420 x 220 mm
Oven (L x D x H)	445 x 420 x 265 mm
Cooking hob (L x D)	900 x 500 mm
External air intake	Ø 80 mm
CO at 13% O ₂ (Carbon monoxide) / NO _x (Nitrogen oxide)	893.0 mg/Nm ³ / 117.0 mg/MJ
Dust / OGC (Organic compounds)	28.0 mg/Nm ³ / 38.0 mg/MJ

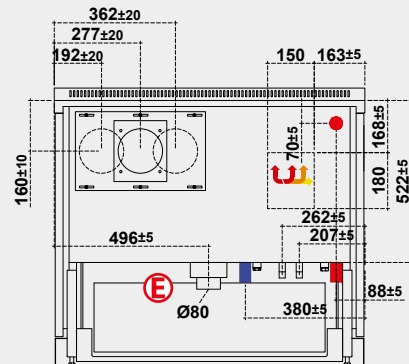
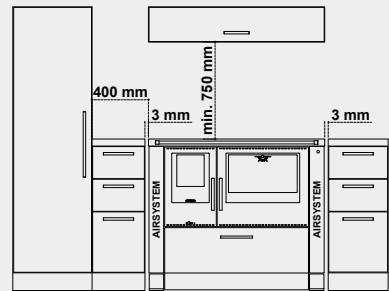
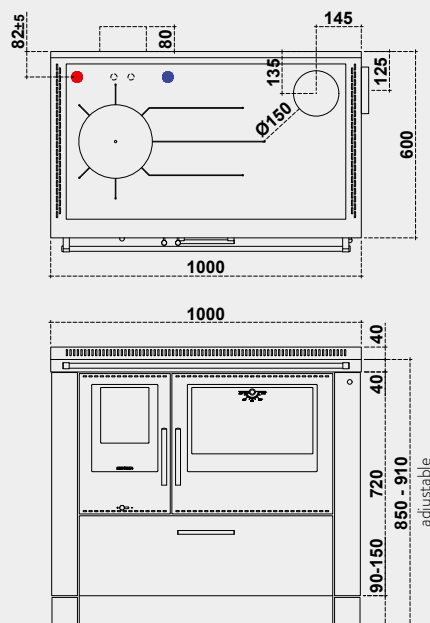
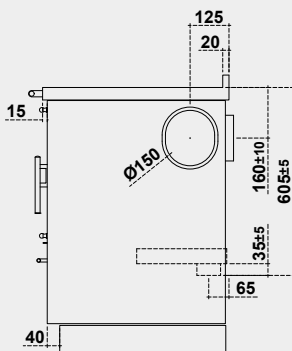
WARNING: Minimum safety distance from flammable materials

From the rear and side connection to the chimney
 * 40mm of insulation with heat conductivity equal to 0.07 W/mK at 200°C

On the side above the plate	P= 0 + 40* mm Following agreement with chimney sweep
On the side below the plate	L= 400 mm
Above the plate	L= 3 mm
In the front from the middle of the fire door	Min. 750 mm
Plate for floor protection	R= 250 mm
	Based on specific country directives



To operate the electronic control unit and the oven light, install two Schuko sockets either a) behind the wood drawer at a maximum height of 210mm from the floor, or b) at a maximum distance from the kitchen stove of 500 mm



Ein Unternehmen aus
SÜDTIROL

100 HEATING STOVE - OVEN ON LEFT

Technical data (Data may vary depending on type of fuel used)

Fuel	Wood
Energy class	A+
Water volume in boiler	12 l
Heating capacity	15 - 17 kW / 12900 - 14620 Kcal
Heating capacity H ₂ O	6 - 8 kW / 5160 - 6880 Kcal
Performance	80.6 %
Diameter smoke outlet	Ø 150 mm
Minimum draught	12 Pa / 0.12 mbar
Temperature smoke outlet	195 °C
Smoke mass	14.4 g/s
CO at 13% O ₂	0.07 %
Weight	270 kg
Optional chimney outlets	5
Maximum water pressure	3 bar
Maximum operating pressure	95 °C
Power voltage	230 / 12V - 50 / 60Hz
Test report	VFH-12-003-P
VKF AEA1 - No.	23207
Firebox opening (B x H)	205 x 240 mm
Firebox measurements (L x D x H)	250 x 340 x 230 mm
Drawer measurements (L x D x H)	740 x 420 x 220 mm
Oven (L x D x H)	445 x 420 x 265 mm
Cooking hob (L x D)	900 x 500 mm
External air intake	Ø 80 mm
CO at 13% O ₂ (Carbon monoxide) / NO _x (Nitrogen oxide)	893.0 mg/Nm ³ / 117.0 mg/MJ
Dust / OGC (Organic compounds)	28.0 mg/Nm ³ / 38.0 mg/MJ

WARNING: Minimum safety distance from flammable materials

From the rear and side connection to the chimney
 * 40mm of insulation with heat conductivity equal to 0.07 W/mK at 200°C

On the side above the plate

On the side below the plate

Above the plate

In the front from the middle of the fire door

Plate for floor protection

P= 0 + 40* mm

Following agreement with chimney sweep

L= 400 mm

L= 3 mm

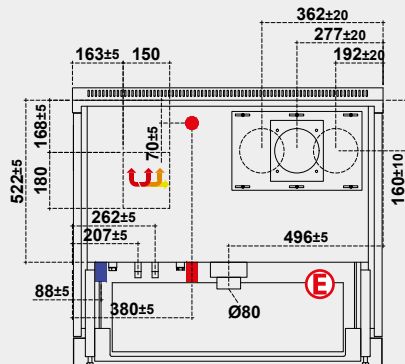
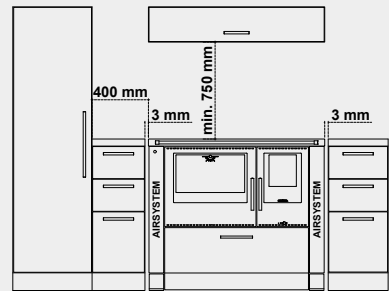
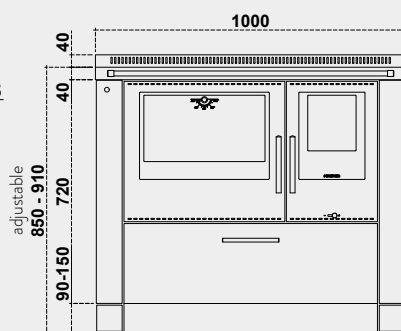
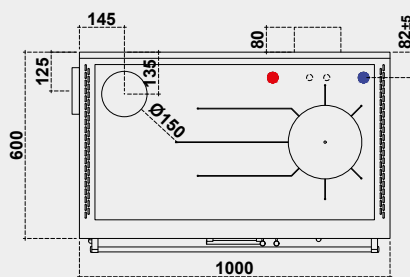
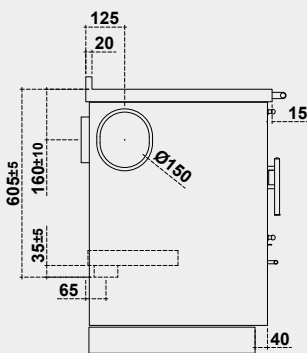
Min. 750 mm

R= 250 mm

Based on specific country directives



To operate the electronic control unit and the oven light, install two Schuko sockets either a) behind the wood drawer at a maximum height of 210mm from the floor, or b) at a maximum distance from the kitchen stove of 500 mm



Ein Unternehmen aus
SÜDTIROL