

80

HEATING STOVE

Measurements (W x D x H): 800 x 600 x 850-910 mm
Nominal heating power: 14 kW
Heating efficiency: 80,3%
Patented adjustable multiple smoke outlet
Available with oven right or left

 **PERTINGER**



PANORAMA
Stainless steel



PANORAMA
Mouse grey F3



Oven available with
pull-down or lateral opening

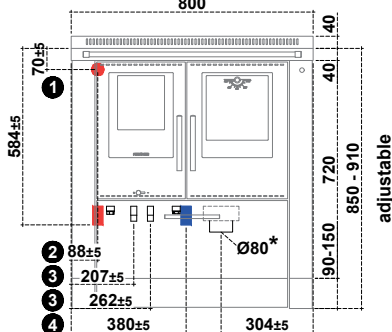
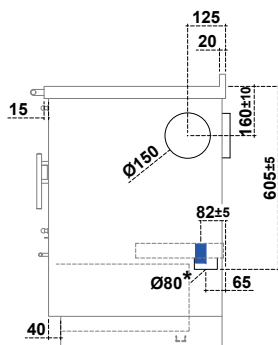
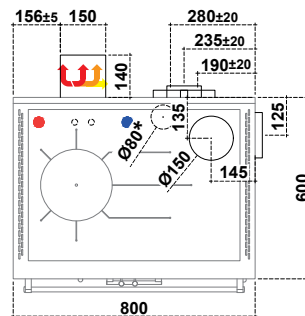
A company from
SÜDTIROL

Technical data (Data may vary depending on type of fuel used)

Fuel	Wood
Energy efficiency class	A+
Energy efficiency index	107,9
Water volume in boiler	12 l
Nominal heating power (P_{nom})	14 kW
Nominal heating power air / water (P_{nom})	7 / 7 kW
Heating efficiency (η_{nom})	80,3 %
Seasonal space heating energy efficiency (η_{s})	70,3 %
Diameter smoke outlet	Ø 150 mm
Minimum draught (p_{nom})	12 Pa / 0,12 mbar
Temperature smoke outlet (T_s nom)	173 °C
Smoke mass	14,4 g/s
CO at 13% O ₂	0,07 %
Weight	235 kg
Possible smoke outlets	5
Maximum water pressure	3 bar
Maximum operating pressure	95 °C
Power voltage	230 / 12V - 50 / 60Hz
Test report	1004340060019-1
Firebox opening version Panorama (L x H)	205 x 240 mm
Combustion chamber (L x D x H)	250 x 350 x 230 mm
Drawer (L x D x H)	540 x 420 x 220 mm
Oven (L x D x H)	260 x 420 x 265 mm
Hob (L x D)	700 x 500 mm
Diameter external air intake	Ø 80 mm
CO nom (13% O ₂) / NOx nom (13% O ₂)	886,0 mg/Nm ³ / 175,0 mg/Nm ³
OGC nom (13% O ₂) / PM nom (13% O ₂)	49,0 mg/Nm ³ / 28,0 mg/Nm ³

Connections for the heating system

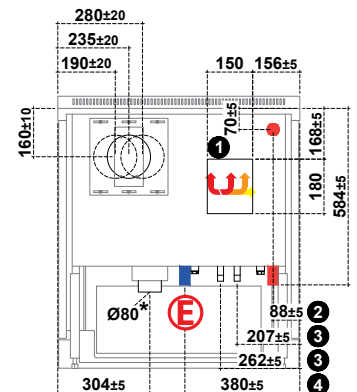
- Alternative delivery connection for force of gravity systems (female 1")
- Outlet (male 1")
- Connections for thermal discharge circuit (male 1/2")
- Inlet (male 1")



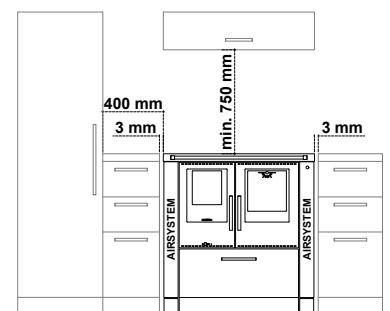
E

To operate the electronic control unit and the oven light, install two Schuko sockets either behind the wood drawer at a maximum height of 270 mm from the floor, or at a maximum distance from the kitchen stove of 500 mm

* External air intake


Minimum distance from combustible materials

From the rear and side connection to the chimney	(dR) ¹ 0 + 40 mm Following agreement with chimney sweep
Side below / above the hob	(dS) 3 / 400 mm
Side in the radiation area	(dL) 0 mm
Front from the middle of the fire door in the radiation area	(dP) R= 250 mm
Floor in front in the radiation area	(dF) ² 0 mm
² For combustible flooring, a fireproof floor plate is required in front of the appliance	
Under the appliance	(dB) 0 mm
Ceiling	(dC) 750 mm



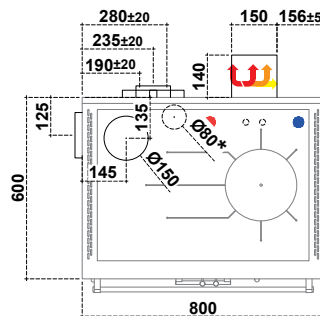
HEATING STOVE - OVEN ON LEFT

Technical data (Data may vary depending on type of fuel used)

Fuel	Wood
Energy efficiency class	A+
Energy efficiency index	107,9
Water volume in boiler	12 l
Nominal heating power (P_{nom})	14 kW
Nominal heating power air / water (P_{nom})	7 / 7 kW
Heating efficiency (η_{nom})	80,3 %
Seasonal space heating energy efficiency (η_s)	70,3 %
Diameter smoke outlet	Ø 150 mm
Minimum draught (p_{nom})	12 Pa / 0,12 mbar
Temperature smoke outlet (T_s nom)	173 °C
Smoke mass	14,4 g/s
CO at 13% O ₂	0,07 %
Weight	235 kg
Possible smoke outlets	5
Maximum water pressure	3 bar
Maximum operating pressure	95 °C
Power voltage	230 / 12V - 50 / 60Hz
Test report	1004340060019-1
Firebox opening version Panorama (L x H)	205 x 240 mm
Combustion chamber (L x D x H)	250 x 350 x 230 mm
Drawer (L x D x H)	540 x 420 x 220 mm
Oven (L x D x H)	260 x 420 x 265 mm
Hob (L x D)	700 x 500 mm
Diameter external air intake	Ø 80 mm
CO nom (13% O ₂) / NOx nom (13% O ₂)	886,0 mg/Nm ³ / 175,0 mg/Nm ³
OGC nom (13% O ₂) / PM nom (13% O ₂)	49,0 mg/Nm ³ / 28,0 mg/Nm ³

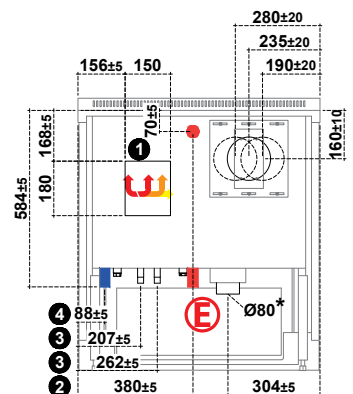
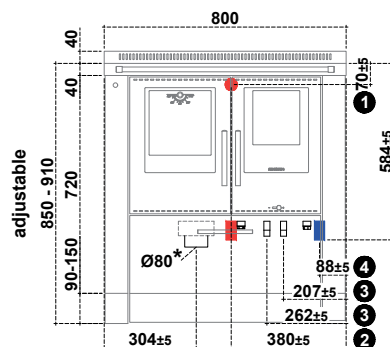
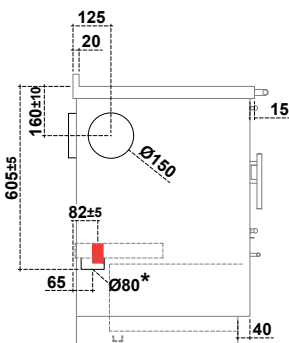
Connections for the heating system

- Alternative delivery connection for force of gravity systems (female 1")
- Outlet (male 1")
- Connections for thermal discharge circuit (male 1/2")
- Inlet (male 1")



To operate the electronic control unit and the oven light, install two Schuko sockets either behind the wood drawer at a maximum height of 270 mm from the floor, or at a maximum distance from the kitchen stove of 500 mm

* External air intake

**Minimum distance from combustable materials**

From the rear and side connection to the chimney	(dR) ¹ 0 + 40 mm Following agreement with chimney sweep
Side below / above the hob	(dS) 3 / 400 mm
Side in the radiation area	(dL) 0 mm
Front from the middle of the fire door in the radiation area	(dP) R= 250 mm
Floor in front in the radiation area	(dF) ² 0 mm
Under the appliance	(dB) 0 mm
Ceiling	(dC) 750 mm

