

RTP AND RTPS: SAFETY, SIMPLICITY AND DESIGN IN ONE KIT

All functional heating systems require a series of components which allow for the seamless integration of a heating stove. We have selected and pre-assembled the best components available on the market to be able to offer our customers maximum compatibility, functionality and safety. To optimise the increasingly small spaces of new homes, we have minimised the maximum overall dimensions, by creating a kit that can be incorporated into the heating stove, without the addition of external modules. Available in two versions: **RTP** for the production of hot water for heating and **RTPs** to also manage domestic hot water.

ADVANTAGES OF RTP AND RTPS THERMAL KIT:

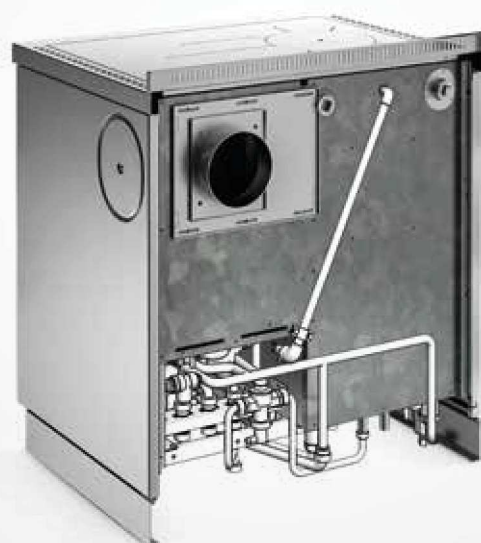
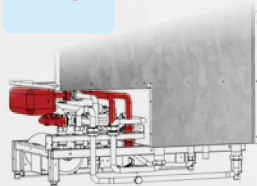
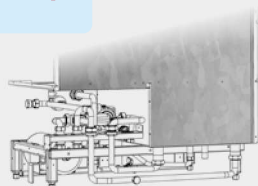
AESTHETICS, INSTALLATION, MAINTENANCE AND SAFETY

- No aesthetic impact on the kitchen
- Quick and easy installation
- Easy access to the kit from the front of the stove
- Integrated safety systems (thermal discharge, 3 bar safety valve)
- Check valve to ensure flow in only one direction
- Safe removal of the stove thanks to the load/drain tap
- Easy interfacing with other heat generators

FUNCTIONALITY

- Ready for closed tank installation
- Easy programming via the electronic control unit
- Production of instant domestic hot water (RTPs)
- Maximum energy efficiency thanks to a special pump that ensures a stable flow
- High coefficient of heat exchange through the plate heat exchanger with minimum encumbrance (RTPs)
- Maximum safety with the expansion tank to balance the pressure variations and to prevent dangerous fluid flow surges (RTPs)
- Maintaining of the water temperature set by means of the thermostatic diverter mixing valve (RTPs)

Components	RTP	RTPs
Thermal discharge	•	•
Anti-condensation valve 55°C	•	•
Circulator	•	•
3 bar safety valve	•	•
Pressure gauge	•	•
Load tap	•	•
Drain tap	•	•
Load / drain tap + check	•	•
Membrane expansion tank	•	•
Diverter for domestic hot water		•
Mixing valve / diverter / thermostatic		•
Plate heat exchanger		•



Approximate drawing