

100 HEATING STOVE WITH INVERTED FLAME

Technical data (Data may vary depending on type of fuel used)

Fuel	Wood
Energy class	A+
Water volume in boiler	13 l
Heating capacity	15 kW / 12900 Kcal
Heating capacity H ₂ O in heating/ cooking	10.5 kW / 7 kW
Performance	90.5 %
Diameter smoke outlet	Ø 150 mm
Minimum draught	15 Pa / 0.15 mbar
Temperature smoke outlet	206 °C
Smoke mass	11 g/s
CO at 13% O ₂	0.03 %
Weight	235 kg
Optional chimney outlets	5
Maximum water pressure	3 bar
Maximum operating pressure	95 °C
Power voltage	230 / 12V - 50 / 60Hz
Test report	C-807878-1
VKF AEA1 - No.	currently being process (June 2017)
Firebox opening (B x H)	210 x 210 mm
Firebox measurements (L x D x H)	230 x 370 x 310 mm
Drawer measurements (L x D x H)	300 x 420 x 150 mm
Oven (L x D x H)	345 x 420 x 265 mm
Cooking hob (L x D)	800 x 500 mm
External air intake	Ø 120 mm
CO at 13% O ₂ (Carbon monoxide) / NO _x (Nitrogen oxide)	327.0 mg/Nm ³ / 61.0 mg/MJ
Dust / OGC (Organic compounds)	15.0 mg/Nm ³ / 37.0 mg/MJ

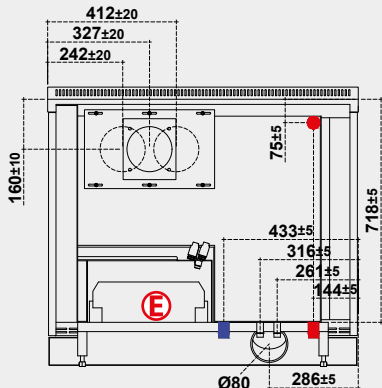
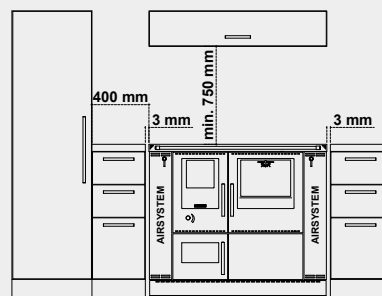
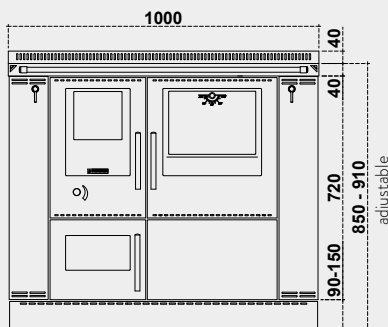
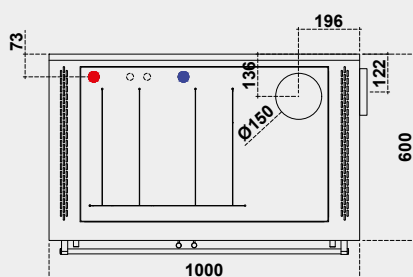
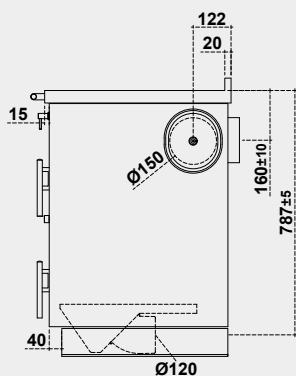
WARNING: Minimum safety distance from flammable materials

From the rear and side connection to the chimney	P= 0 + 40* mm
* 40mm of insulation with heat conductivity equal to 0.07 W/mK at 200°C	Following agreement with chimney sweep
On the side above the plate	L= 400 mm
On the side below the plate	L= 3 mm
Above the plate	Min. 750 mm
In the front from the middle of the fire door	R= 250 mm
Plate for floor protection	Based on specific country directives

NB: Available in right and left version



To operate the electronic control unit and the oven light, install two Schuko plugs either a) behind the wood drawer at a maximum height of 270 mm from the floor, or b) at a maximum distance from the kitchen stove of 500 mm



Ein Unternehmen aus
SÜDTIROL