

# 1100 PROFESSIONAL

## Technical data (Data may vary depending on type of fuel used)

Fuel	Wood
Energy class	A+
Heating capacity	9.5 kW
Performance	82.3%
Diameter smoke outlet	Ø 150 mm
Minimum draught	0.14 mbar
Temperature smoke outlet	230°C
Smoke mass	8.7 g/s
CO at 13% O <sub>2</sub>	0.11%
Weight	320 kg
Optional smoke outlet	5
Firebox opening (L x H)	200 x 190 mm
Firebox measurements (L x D x H)	220 x 580 x 280 mm
Drawer measurements (L x D x H)	810 x 565 x 230 mm
Oven (L x D x H)	500 x 570 x 265 mm
Cooking hob (L x D)	940 x 640 mm
External air intake	Ø 120 mm
CO at 13% O <sub>2</sub> (Carbon monoxide) / NO <sub>x</sub> (Nitrogen oxide)	1300.0 mg/Nm <sup>3</sup> / 58.0 mg/MJ
Dust / OGC (Organic compounds)	36.0 mg/Nm <sup>3</sup> / 45.0 mg/MJ

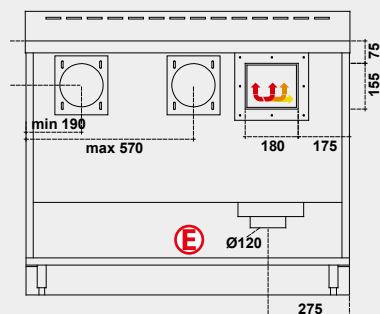
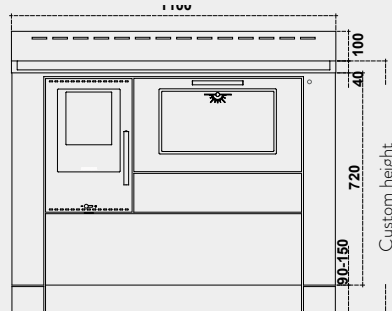
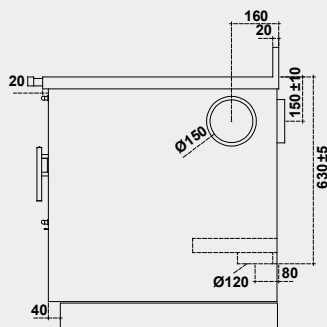
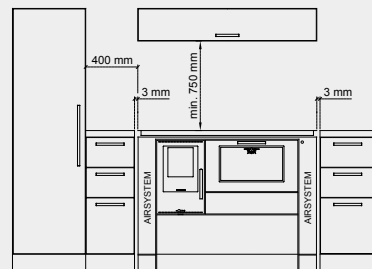
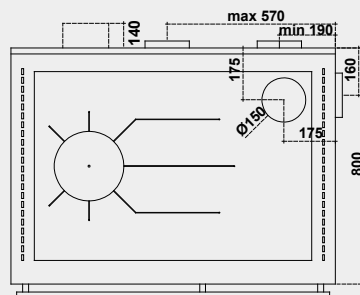
## WARNING: Minimum safety distance from flammable materials

From the rear and side connection to the chimney * 40mm of insulation with heat conductivity equal to 0.07 W/mK at 200°C	P= 0 + 40* mm Following agreement with chimney sweep
On the side above the plate	L= 400 mm
On the side below the plate	L= 3 mm
Above the plate	Min. 750 mm
In the front from the middle of the fire door	R= 250 mm
Plate for floor protection	Based on specific country directives

**NB:** Available in right and left version



For the version with the oven light (optional), install a Schuko plug either "A" behind the wood drawer at a maximum height of 250mm from the floor, or "B" at a maximum distance from the kitchen stove of 500 mm



Ein Unternehmen aus  
**SÜDTIROL**