

75 ÖKOALPIN

WOOD STOVE



Measurements (W x D x H): 750 x 600 x 850-910 mm
 Nominal heating power: 8 kW
 Heating efficiency: 85,3%
 Patented adjustable multiple smoke outlet
 Available with oven right or left



TREND
Red F6



DEKOR
ST21 / Black F5



PANORAMA
White F8



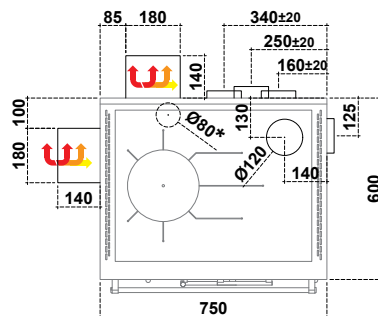
75 ÖKOALPIN

WOOD STOVE - OVEN ON RIGHT



Technical data (Data may vary depending on type of fuel used)

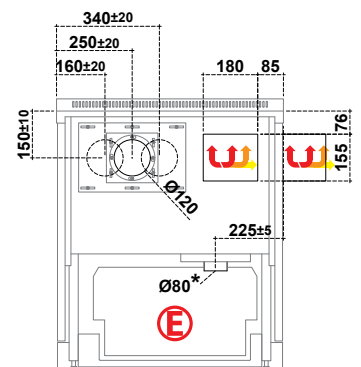
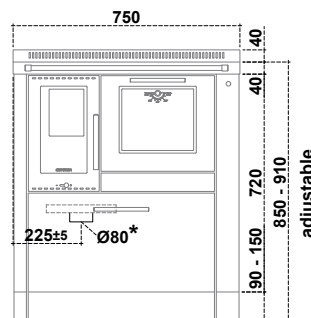
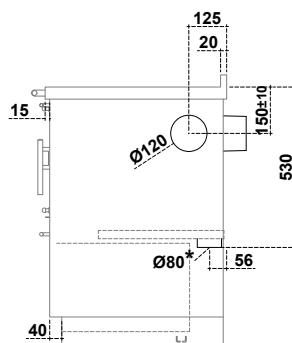
Fuel	Wood
Energy efficiency class	A+
Energy efficiency index	113,3
Nominal heating power (P_{nom})	8 kW
Heating efficiency (η_{nom})	85,3 %
Seasonal space heating energy efficiency (η_s)	75,3 %
Diameter smoke outlet	Ø 120 mm
Minimum draught (p_{nom})	12 Pa / 0,12 mbar
Temperature smoke outlet (T_s nom)	167 °C
Smoke mass	9,4 g/s
CO at 13% O ₂	0,02 %
Weight	190 kg
Possible smoke outlets	5
Test report	1004340060002-1
Firebox opening version Trend/Dekor (L x H)	165 x 165 mm
Firebox opening version Panorama (L x H)	165 x 180 mm
Combustion chamber (L x D x H)	170 x 400 x 260 mm
Drawer (L x D x H)	460 x 420 x 290 mm
Oven (L x D x H)	300 x 420 x 265 mm
Hob (L x D)	650 x 500 mm
Diameter external air intake	Ø 80 mm
CO nom (13% O ₂) / NO _x nom (13% O ₂)	282,0 mg/Nm ³ / 90,0 mg/Nm ³
OGC nom (13% O ₂) / PM nom (13% O ₂)	35,0 mg/Nm ³ / 14,0 mg/Nm ³



E

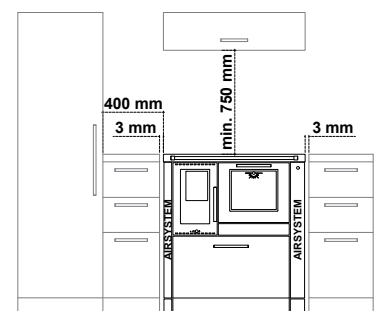
For the version with the oven light (optional), install a Schuko plug either behind the wood drawer at a maximum height of 320 mm from the floor, or at a maximum distance from the kitchen stove of 500 mm

* External air intake



Minimum distance from combustible materials

From the rear and side connection to the chimney	(dR) ¹ 0 + 40 mm Following agreement with chimney sweep
Side below / above the hob	(dS) 3 / 400 mm
Side in the radiation area	(dL) 0 mm
Front from the middle of the fire door in the radiation area	(dP) R= 250 mm
Floor in front in the radiation area	(dF) ² 0 mm
² For combustible flooring, a fireproof floor plate is required in front of the appliance	
Under the appliance	(dB) 0 mm
Ceiling	(dC) 750 mm

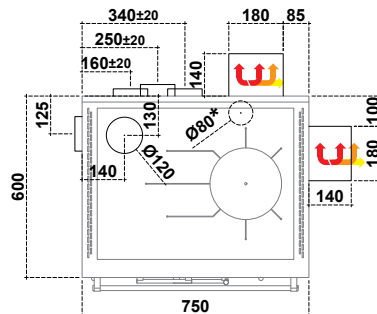


75 ÖKOALPIN

WOOD STOVE - OVEN ON LEFT

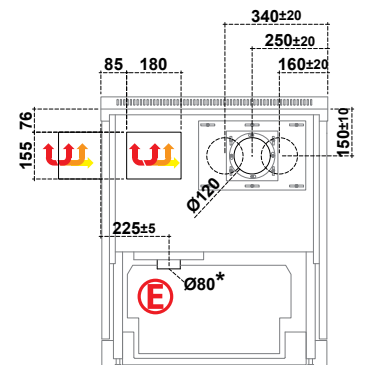
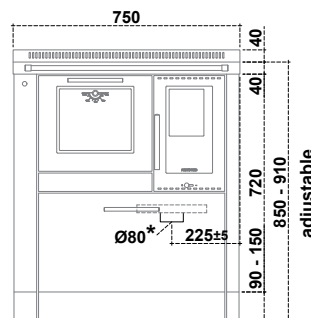
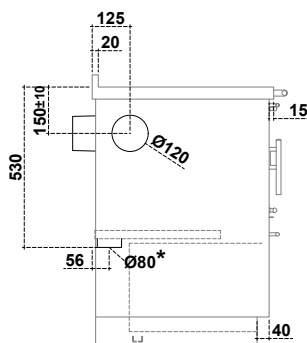
Technical data (Data may vary depending on type of fuel used)

Fuel	Wood
Energy efficiency class	A+
Energy efficiency index	113,3
Nominal heating power (P_{nom})	8 kW
Heating efficiency (η_{nom})	85,3 %
Seasonal space heating energy efficiency (η_s)	75,3 %
Diameter smoke outlet	Ø 120 mm
Minimum draught (p_{nom})	12 Pa / 0,12 mbar
Temperature smoke outlet (T_s_{nom})	167 °C
Smoke mass	9,4 g/s
CO at 13% O ₂	0,02 %
Weight	190 kg
Possible smoke outlets	5
Test report	1004340060002-1
Firebox opening version Trend/Dekor (L x H)	165 x 165 mm
Firebox opening version Panorama (L x H)	165 x 180 mm
Combustion chamber (L x D x H)	170 x 400 x 260 mm
Drawer (L x D x H)	460 x 420 x 290 mm
Oven (L x D x H)	300 x 420 x 265 mm
Hob (L x D)	650 x 500 mm
Diameter external air intake	Ø 80 mm
CO nom (13% O ₂) / NOx nom (13% O ₂)	282,0 mg/Nm ³ / 90,0 mg/Nm ³
OGC nom (13% O ₂) / PM nom (13% O ₂)	35,0 mg/Nm ³ / 14,0 mg/Nm ³



For the version with the oven light (optional), install a Schuko plug either behind the wood drawer at a maximum height of 320 mm from the floor, or at a maximum distance from the kitchen stove of 500 mm

* External air intake



Minimum distance from combustible materials

From the rear and side connection to the chimney	(dR) ¹ 0 + 40 mm Following agreement with chimney sweep
Side below / above the hob	(dS) 3 / 400 mm
Side in the radiation area	(dL) 0 mm
Front from the middle of the fire door in the radiation area	(dP) R= 250 mm
Floor in front in the radiation area	(dF) ² 0 mm
² For combustible flooring, a fireproof floor plate is required in front of the appliance	
Under the appliance	(dB) 0 mm
Ceiling	(dC) 750 mm

