

# 70+5 ÖKOALPIN

## Technical data (Data may vary depending on type of fuel used)

Fuel	Wood
Energy class	A+
Heating capacity	7 kW / 6020 Kcal
Performance	80.7 %
Diameter smoke outlet	Ø 120 mm
Minimum draught	12 Pa / 0.12 mbar
Temperature smoke outlet	244 °C
Smoke mass	10.2 g/s
CO at 13% O <sub>2</sub>	0.11 %
Weight	200 kg
Optional smoke outlet	5
Test report	IMQ CPD-11-024
VKF AEAI - No.	16685
Firebox opening Trend/Dekor version (L x H)	165 x 165 mm
Firebox opening Panorama version (L x H)	165 x 180 mm
Firebox measurements (L x D x H)	170 x 400 x 260 mm
Drawer measurements (L x D x H)	460 x 420 x 290 mm
Oven (L x D x H)	300 x 420 x 265 mm
Cooking hob (L x D)	650 x 500 mm
External air intake	Ø 80 mm
CO at 13% O <sub>2</sub> (Carbon monoxide) / NO <sub>x</sub> (Nitrogen oxide)	1359.0 mg/Nm <sup>3</sup> / 61.0 mg/MJ
Dust / OGC (Organic compounds)	17.9 mg/Nm <sup>3</sup> / 30.0 mg/MJ

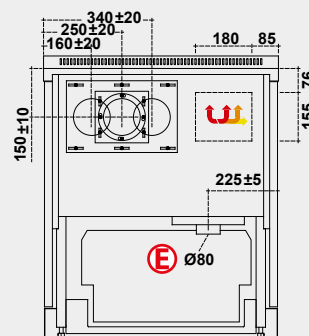
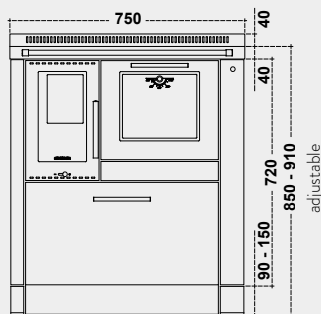
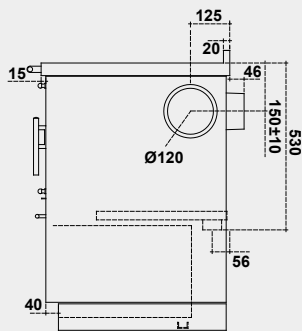
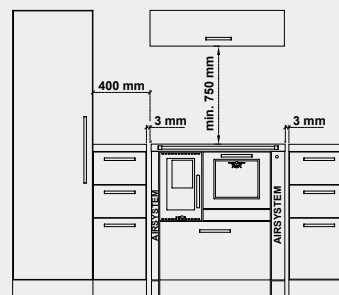
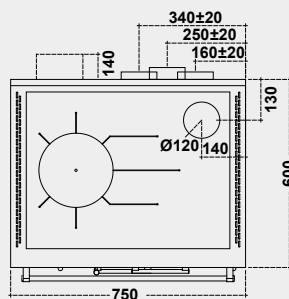
## WARNING: Minimum safety distance from flammable materials

From the rear and side connection to the chimney * 40mm of insulation with heat conductivity equal to 0.07 W/mK at 200°C	P= 0 + 40* mm Following agreement with chimney sweep
On the side above the plate	L= 400 mm
On the side below the plate	L= 3 mm
Above the plate	Min. 750 mm
In the front from the middle of the fire door	R= 250 mm
Plate for floor protection	Based on specific country directives

**NB:** Available in right and left version



For the version with the oven light (optional), install a Schuko plug either "A" behind the wood drawer at a maximum height of 320mm from the floor, or "B" at a maximum distance from the kitchen stove of 500 mm



Ein Unternehmen aus  
**SÜDTIROL**