

70BU ÖKOALPIN

WOOD STOVE



Measurements (W x D x H): 700 x 600 x 850-910 mm
 Nominal heating power: 8 kW
 Heating efficiency: 84,2%
 Patented adjustable multiple smoke outlet
 Available with door stop left or right
 ★ Only on request



PANORAMA
 Red F6 / Stainless steel



PANORAMA
 Stainless steel



PANORAMA
 Black F5



PELLET BOX
 (optional)



70BU ÖKOALPIN

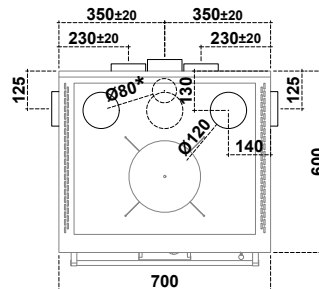
WOOD STOVE



Technical data (Data may vary depending on type of fuel used)

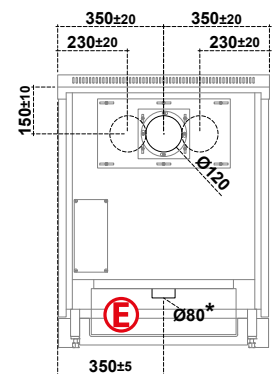
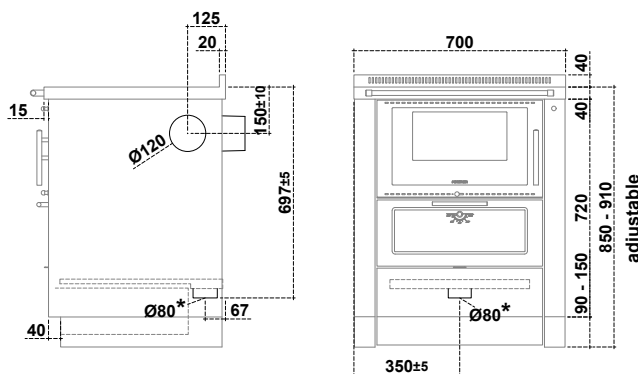
Fuel	Wood
Energy efficiency class	A+
Nominal heating power	8 kW
Heating efficiency	84,2 %
η_s Seasonal space heating energy efficiency	75,2 %
Diameter smoke outlet	Ø 120 mm
Minimum draught	12 Pa / 0,12 mbar
Temperature smoke outlet	193 °C
Smoke mass	7,0 g/s
CO at 13% O ₂	0,11 %
Weight	195 kg
Possible smoke outlets	8
Test report	C-944397-1
VKF AEA1 - No.	22974
Firebox opening (L x H)	330 x 150 mm
Combustion chamber (L x D x H)	330 x 350 x 180 mm
Drawer (L x D x H)	470 x 420 x 150 mm
Oven (L x D x H)	445 x 420 x 160 mm
Hob (L x D)	600 x 500 mm
Diameter external air intake	Ø 80 mm
CO at 13% O ₂ (Carbon monoxide) / NOx (Nitrogen oxide)	1411,0 mg/Nm ³ / 66,0 mg/Nm ³
Dust / OGC (Organic compounds)	37,0 mg/Nm ³ / 56,0 mg/Nm ³

NB: Available with door stop left or right



To operate the oven light, install a Schuko socket either behind the wood drawer at a maximum height of 130 mm from the floor, or at a maximum distance from the kitchen stove of 500 mm

* External air intake



WARNING:

Minimum safety distance from flammable materials

From the rear and side connection to the chimney **P= 0 + 40* mm**
Following agreement with chimney sweep

* 40mm of insulation with heat conductivity equal to 0.07 W/mK at 200°C

On the side above the plate	L= 500 mm
On the side below the plate	L= 3 mm
Above the plate	Min. 750 mm
In the front from the middle of the fire door	R= 250 mm
Plate for floor protection	Based on specific country directives

